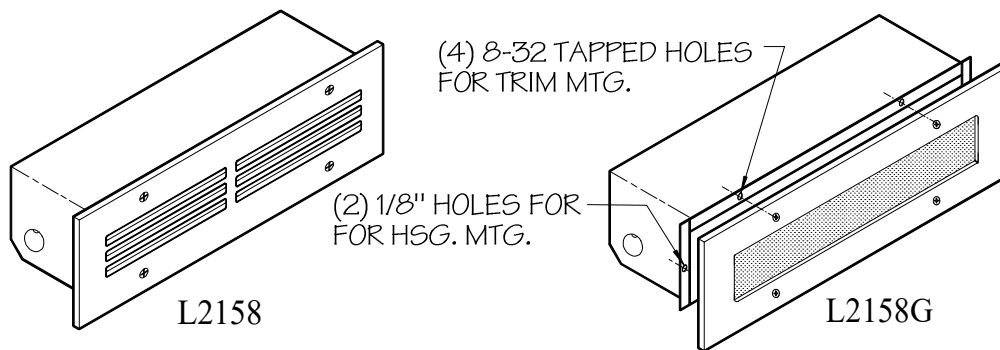


Installation Instruction Sheet

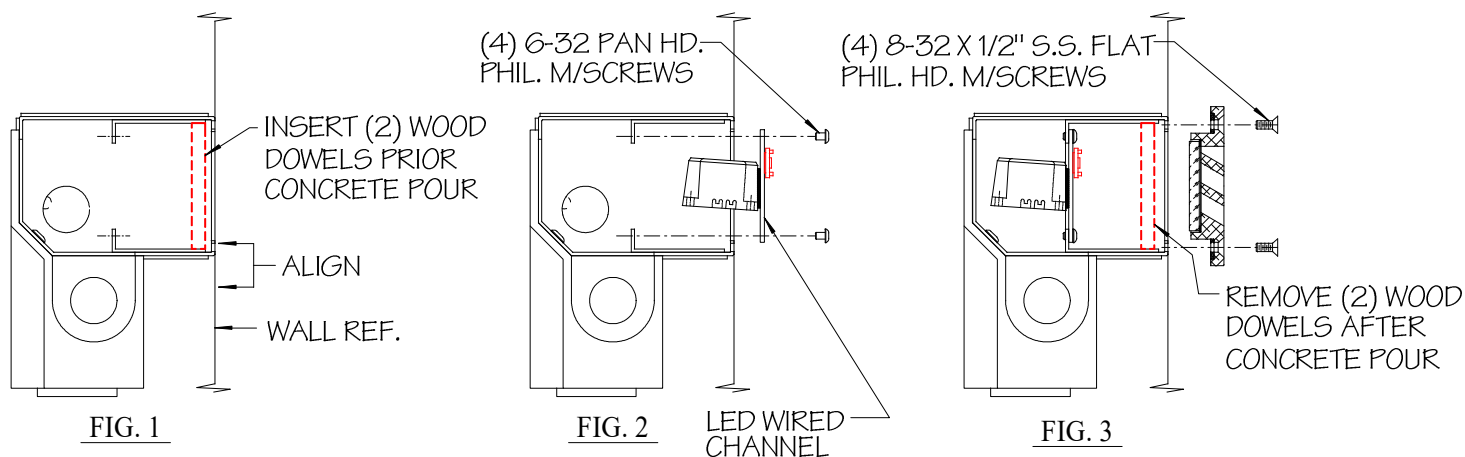
021821R

L2158 SERIES



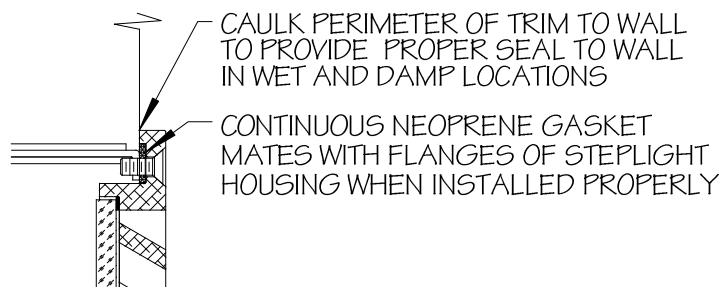
STEP 1

Remove wired channel. Bring supply wire through liquid tight connector (by others) into desired entrance. Using mounting holes on housing flanges, install 16 ga. steel housing (suitable for concrete pour) into wall ensuring that front of housing aligns with finished wall surface. Alignment of the two ensures proper weather seal. (See Fig. 1) *(Caulk perimeter of housing to ensure proper seal to wall in wet and damp locations.)*



STEP 2

Ensure that power to unit is off. Splice supply wires with lead wires of LED driver on back of wired channel and fasten channel in place with (4) 6-32 screws provided. Mount finished trim to housing using (4) 8-32 screws supplied (See Fig. 3).



NOTE:

* THIS PRODUCT MUST BE INSTALLED IN ACCORDANCE WITH THE APPLICABLE INSTALLATION CODE BY A PERSON FAMILIAR WITH THE CONSTRUCTION AND OPERATION OF THE PRODUCT AND THE HAZARDS INVOLVED.

* CONTACT WITH ACID-WASH OF ANY TYPE TO ANY SURFACE OF STEPLIGHT WILL/MAY VOID WARRANTY.

* RECESSED HOUSING NOT SEALED FROM MOISTURE THROUGH WALL. IF NECESSARY, PROTECTION MUST BE PROVIDED TO PREVENT WATER FROM ENTERING HOUSING INSIDE OF WALL.

COLE
Lighting