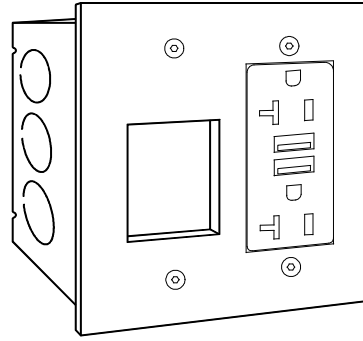
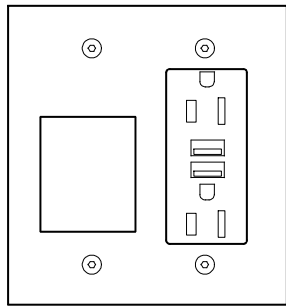


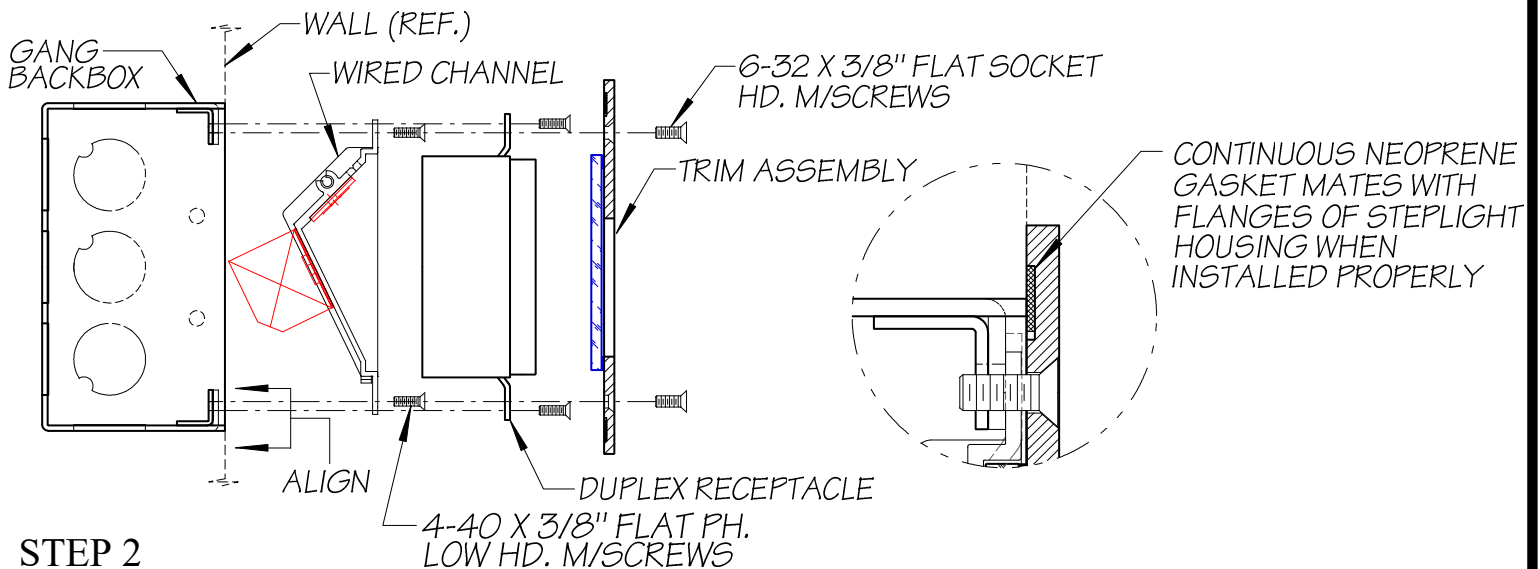
# Installation Instruction Sheet

## L211-DUP/USB



### STEP 1

Remove wired channel and duplex receptacle. Bring supply wires through desired entrance. Using mounting holes of housing, install two gang back box into block or stud of wall ensuring that front housing aligns with finished wall surface.

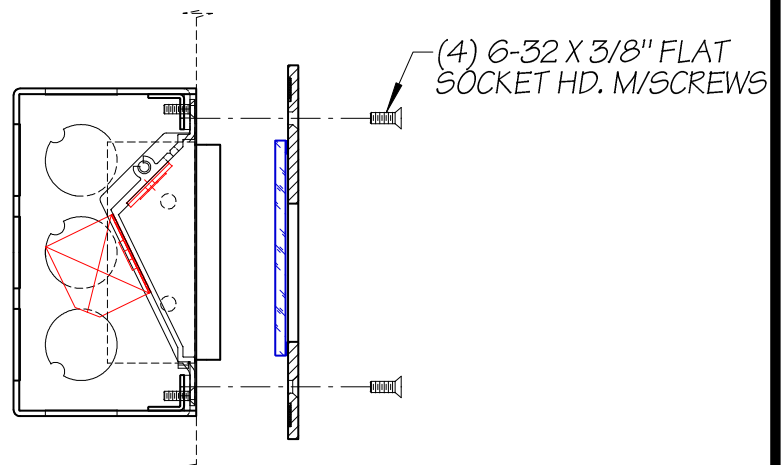


### STEP 2

Ensure that power to unit is off. Splice supply wires with lead wires of wired channel and duplex receptacle. Replace wired channel & duplex receptacle and attach to housing. Mount finished trim to housing using factory supplied (4) 6-32 X 3/8" flat socket head m/screws ensuring gasket is in place for proper seal.

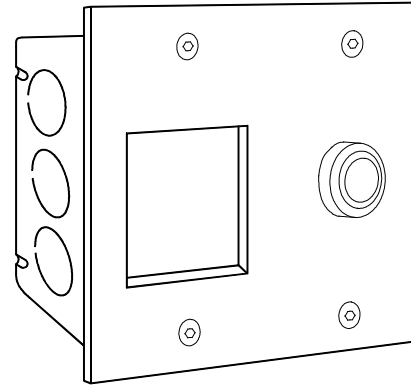
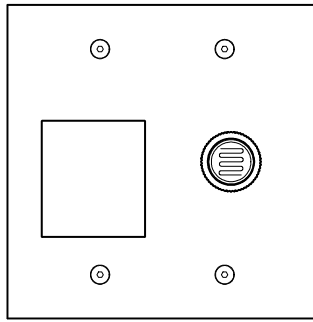
#### NOTE:

- \* THIS PRODUCT MUST BE INSTALLED IN ACCORDANCE WITH THE APPLICABLE INSTALLATION CODE BY A PERSON FAMILIAR WITH THE CONSTRUCTION AND OPERATION OF THE PRODUCT AND THE HAZARDS INVOLVED.
- \* CONTACT WITH ACID-WASH OF ANY TYPE TO ANY SURFACE OF STEPLIGHT WILL/MAY VOID WARRANTY.
- \* RECESSED HOUSING NOT SEALED FROM MOISTURE THROUGH WALL. IF NECESSARY, PROTECTION MUST BE PROVIDED TO PREVENT WATER FROM ENTERING HOUSING INSIDE OF WALL.



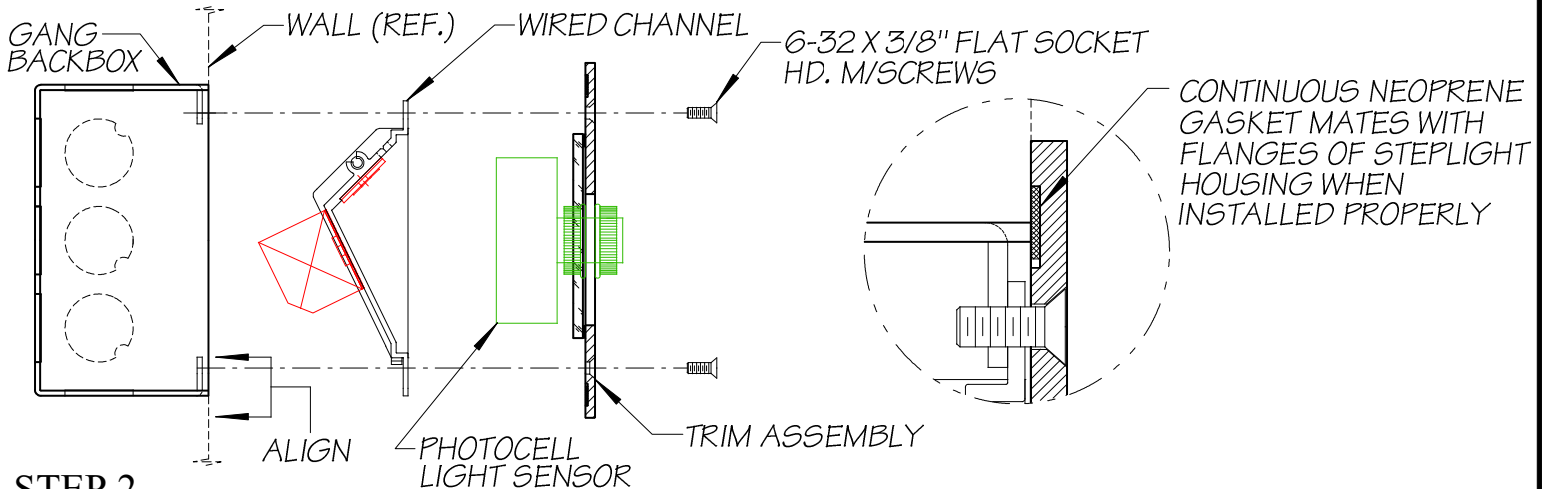
# Installation Instruction Sheet

## L211W-PC



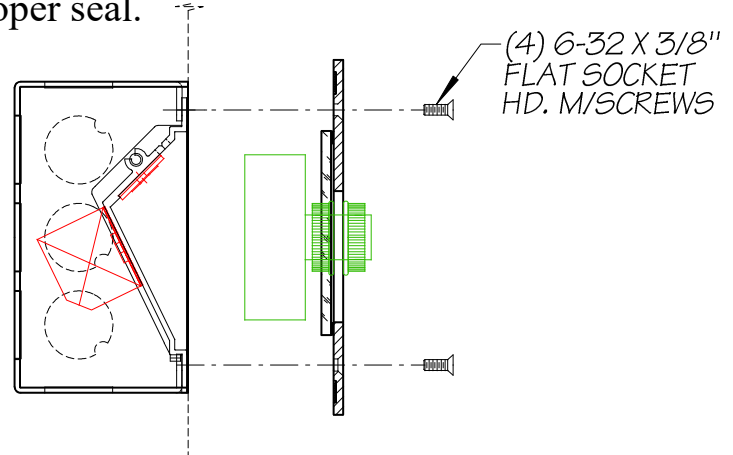
### STEP 1

Remove wired channel and separate non-wired section of the 3-wire disconnect from wired section. Bring supply wires through desired entrance. Using mounting holes of housing, install two gang back box into block or stud of wall ensuring that front housing aligns with finished wall surface.



### STEP 2

Ensure that power to unit is off. Splice supply wires with lead wires of non-wired section of the 3-wire disconnect. Snap 3-wire disconnect sections together and attach wired channel to housing. Mount finished trim to housing using factory supplied (4) 6-32 X 3/8" flat socket head m/screws ensuring gasket is in place for proper seal.



#### NOTE:

- \* THIS PRODUCT MUST BE INSTALLED IN ACCORDANCE WITH THE APPLICABLE INSTALLATION CODE BY A PERSON FAMILIAR WITH THE CONSTRUCTION AND OPERATION OF THE PRODUCT AND THE HAZARDS INVOLVED.
- \* CONTACT WITH ACID-WASH OF ANY TYPE TO ANY SURFACE OF STEPLIGHT WILL/MAY VOID WARRANTY.
- \* RECESSED HOUSING NOT SEALED FROM MOISTURE THROUGH WALL. IF NECESSARY, PROTECTION MUST BE PROVIDED TO PREVENT WATER FROM ENTERING HOUSING INSIDE OF WALL.