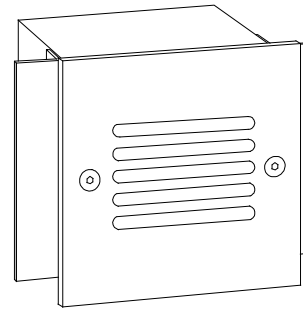
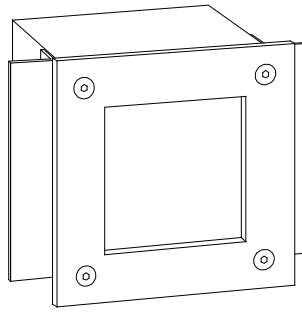


# Installation Instruction Sheet

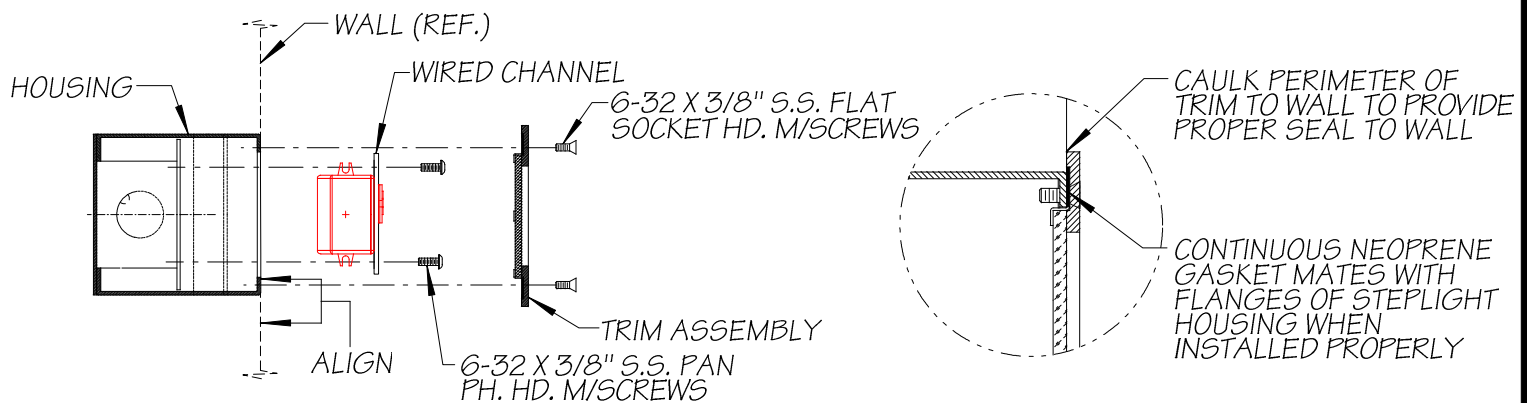
## L121 SERIES



### STEP 1

Remove wired channel. Bring supply wire through liquid tight connector (by others) into desired entrance. Using mounting holes on housing flange, install 16 ga. stainless steel housing (suitable for concrete pour) into wall ensuring that the top of the housing faces upward (housing is marked "TOP") and front of housing aligns with finished wall surface. Alignment of the two ensures proper weather seal.

*For drywall mounting, provide a minimum 3 inch square opening or match O.D. of housing for wall surface alignment. Mount housing to framing or provide additional structure for a secure installation. Make sure that there are no gaps between housing and wall opening for proper trim coverage.*



### STEP 2

Ensure that power to unit is off. Remove wired channel from housing. Splice supply wires with lead wires from wired channel. Replace wired channel with the arrows pointing upward. Be sure the word "TOP" is visible on the top of the channel and fasten in place. Mount finished trim to housing using factory supplied (4) 6-32 X 3/8" stainless steel flat head m/screws ensuring gasket is in place for proper seal.

#### NOTE:

- \* THIS PRODUCT MUST BE INSTALLED IN ACCORDANCE WITH THE APPLICABLE INSTALLATION CODE BY A PERSON FAMILIAR WITH THE CONSTRUCTION AND OPERATION OF THE PRODUCT AND THE HAZARDS INVOLVED.
- \* CONTACT WITH ACID-WASH OF ANY TYPE TO ANY SURFACE OF STEPLIGHT WILL/MAY VOID WARRANTY.
- \* RECESSED HOUSING NOT SEALED FROM MOISTURE THROUGH WALL. IF NECESSARY, PROTECTION MUST BE PROVIDED TO PREVENT WATER FROM ENTERING HOUSING INSIDE OF WALL.

