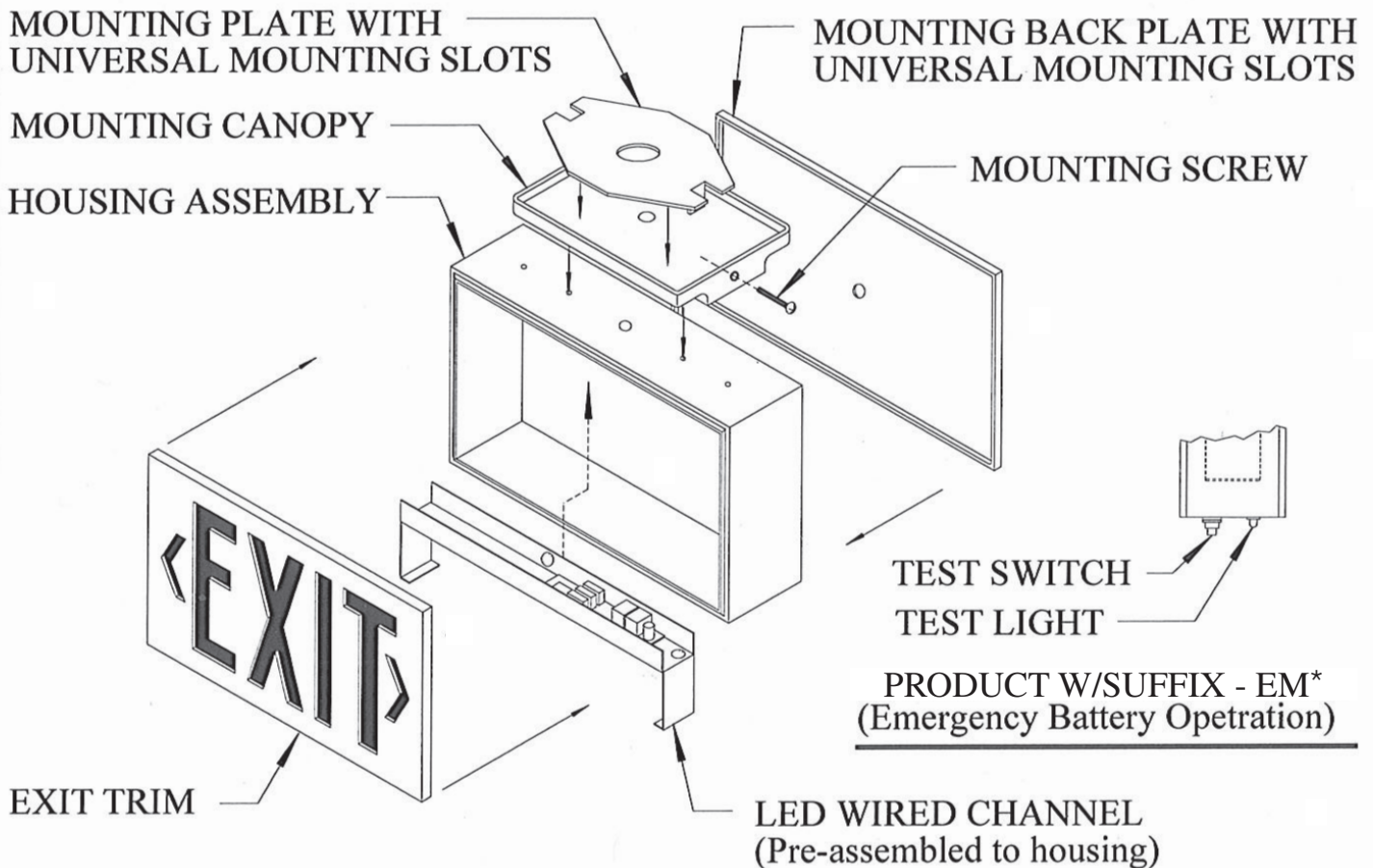


Installation Instruction Sheet

CATALOG NOS.: L205, L206 & L208 SERIES



END, CEILING AND BACK MOUNT INSTALLATION:

- Step 1. Turn off electrical power supplied to fixture.
- Step 2. Use #8 screws to attach universal mounting plate (For end & ceiling mount fixture) or back mounting plate (For back mount fixture) to junction box.
- Step 4. Make wire connections. *On products with suffix -EM, attach connector to battery.
- Step 5. Attach housing canopy to mounting plate using supplied mounting screw to secure fixture in place (For end & ceiling mount fixture).
- Step 6. Re-attach exit trim to housing using factory supplied 8-32 stainless steel pan phillip head machine screws.

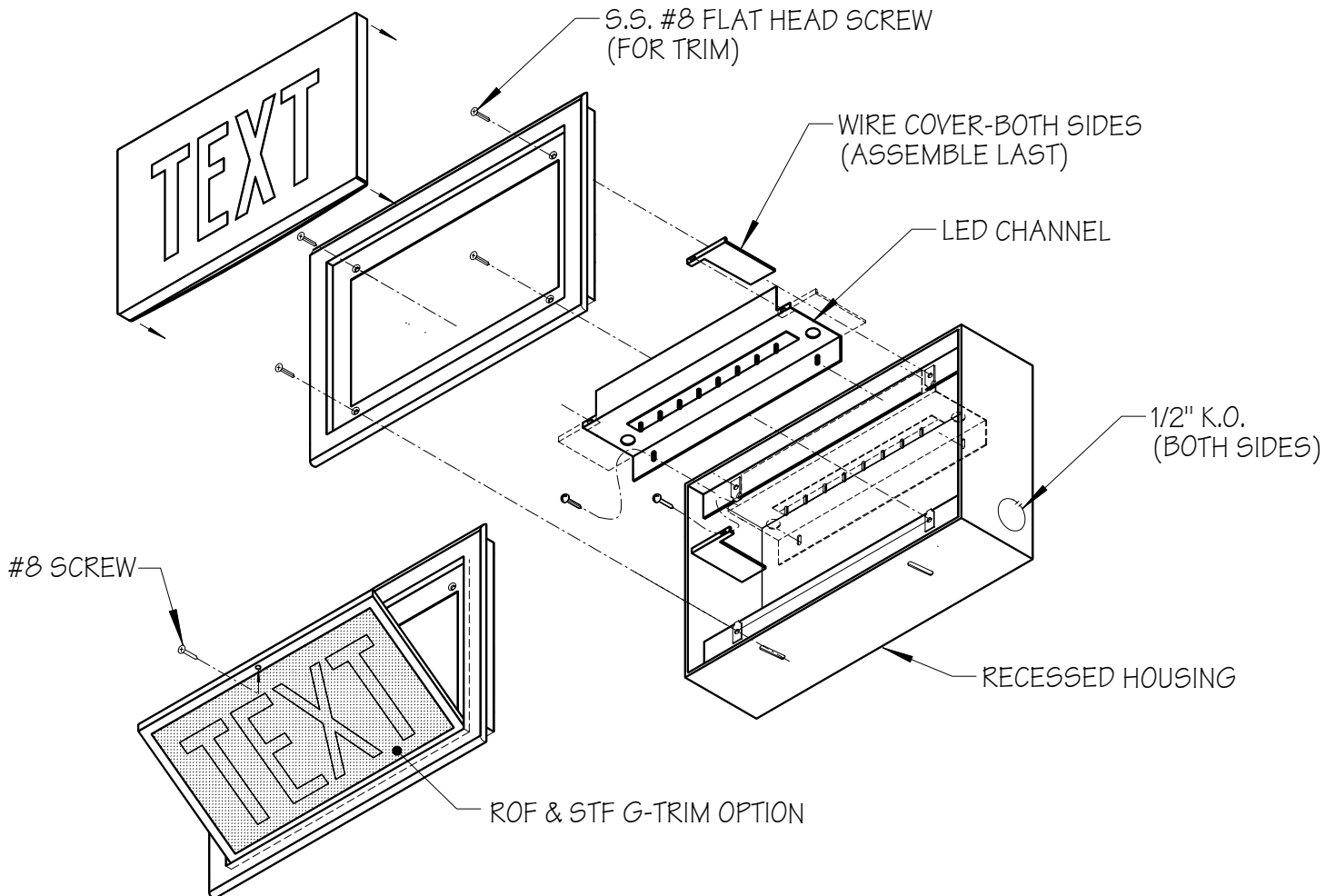
NOTE:

"THIS PRODUCT MUST BE INSTALLED IN ACCORDANCE WITH THE APPLICABLE INSTALLATION CODE BY A PERSON FAMILIAR WITH THE CONSTRUCTION AND OPERATION OF THE PRODUCT AND THE HAZARDS INVOLVED".

COLE
Lighting

Installation Instruction Sheet

CATALOG NOS.: L197, L207 & S191-L RECESSED SERIES



RECESSED MOUNTING INSTALLATION: (VIEW LOOKING UP)

- Step 1. Turn off electrical power supplied to fixture.
- Step 2. Use #8 screws to place housing in recess area.
- Step 3. Attach conduit power feed to housing.
- Step 4. Make wire connections.
- Step 5. Attach LED channel to back of housing, & WIRE COVERS AT SIDES.
- Step 6. Re-attach exit trim to housing using factory supplied 8-32 stainless steel pan phillip head machine screw & snap text panel in place.
(for ROF & STF G-trim options, remove #8 screw at top for access)

NOTE:

"THIS PRODUCT MUST BE INSTALLED IN ACCORDANCE WITH THE APPLICABLE INSTALLATION CODE BY A PERSON FAMILIAR WITH THE CONSTRUCTION AND OPERATION OF THE PRODUCT AND THE HAZARDS INVOLVED".

REVISIONS

REVISIONS

IMPORTANT SAFEGUARDS

When using electrical equipment, basic safety precautions should always be followed, including the following:

READ AND FOLLOW ALL SAFETY INSTRUCTIONS

- Do *not* use outdoors unless marked "Suitable for Wet Locations".
- Follow all mounting and installation instructions.
- Equipment should be mounted in locations and at heights where it will not be readily subjected to tampering by unauthorized personnel.
- Do *not* use this equipment for other than the intended use.
- All servicing other than relamping should be performed by qualified service personnel.

FOR WET LOCATIONS

Caulk joint (junction) between the Exit fixture mounting canopy or housing and the mounting surface. Use a suitable RTV silicone sealant to provide a watertight seal. For wall-mounted recessed Exit fixtures, use only approved watertight conduit fittings for supply connections.

SAVE THESE INSTRUCTIONS

If supply wires are located within 3 inches of a ballast, use wire rated for at least 98° C.