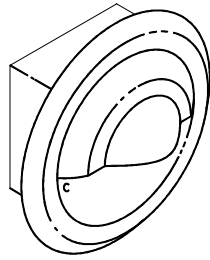
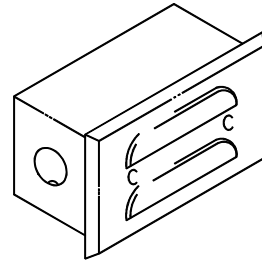


Installation Instruction Sheet

L150E & L150H



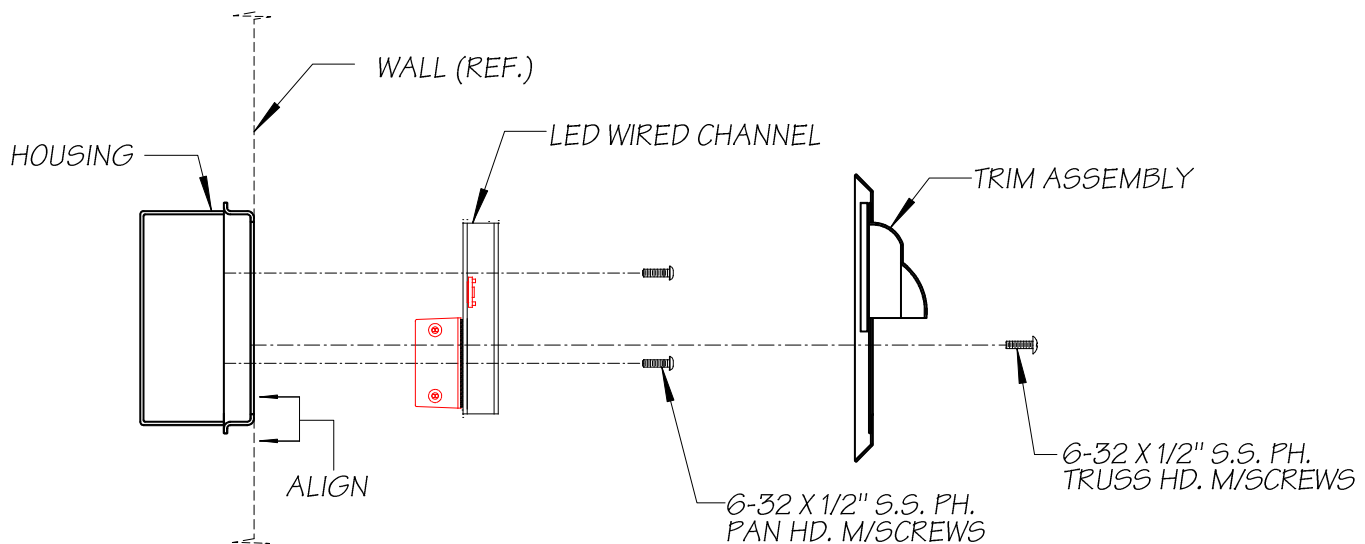
150E



150H

STEP 1

Remove wired channel. Bring supply wire through desired entrance. Using mounting holes of housing, install standard electrical junction box as housing (suitable for concrete pour) into wall ensuring that front of housing aligns with finished wall surface. Alignment of the two ensures proper weather seal.

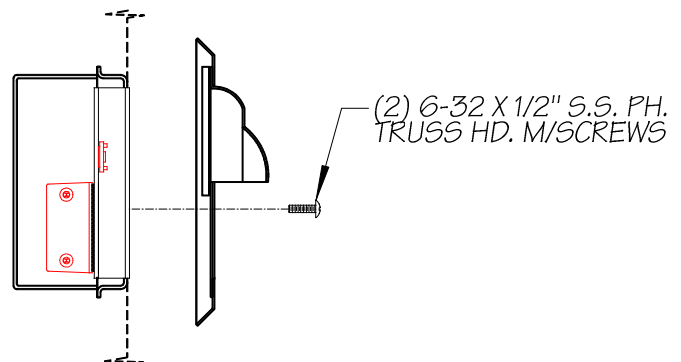


STEP 2

Ensure that power to unit is off. Splice supply wires with lead wires of wired channel. Replace wired channel and fasten in place, insert lamp into socket for incandescent & mount finished trim to housing using factory supplied (2) 6-32 X 1/2" stainless steel phillips truss head m/screws ensuring gasket is in place for proper seal.

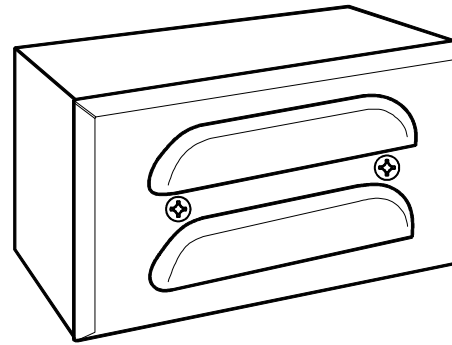
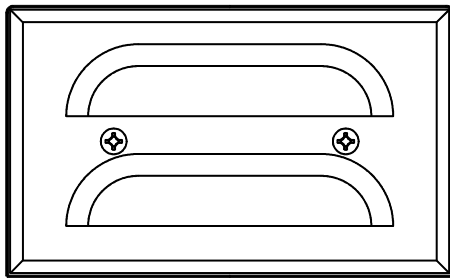
NOTE:

- * THIS PRODUCT MUST BE INSTALLED IN ACCORDANCE WITH THE APPLICABLE INSTALLATION CODE BY A PERSON FAMILIAR WITH THE CONSTRUCTION AND OPERATION OF THE PRODUCT AND THE HAZARDS INVOLVED.
- * CONTACT WITH ACID-WASH OF ANY TYPE TO ANY SURFACE OF STEPLIGHT WILL/MAY VOID WARRANTY.
- * RECESSED HOUSING NOT SEALED FROM MOISTURE THROUGH WALL. IF NECESSARY, PROTECTION MUST BE PROVIDED TO PREVENT WATER FROM ENTERING HOUSING INSIDE OF WALL.



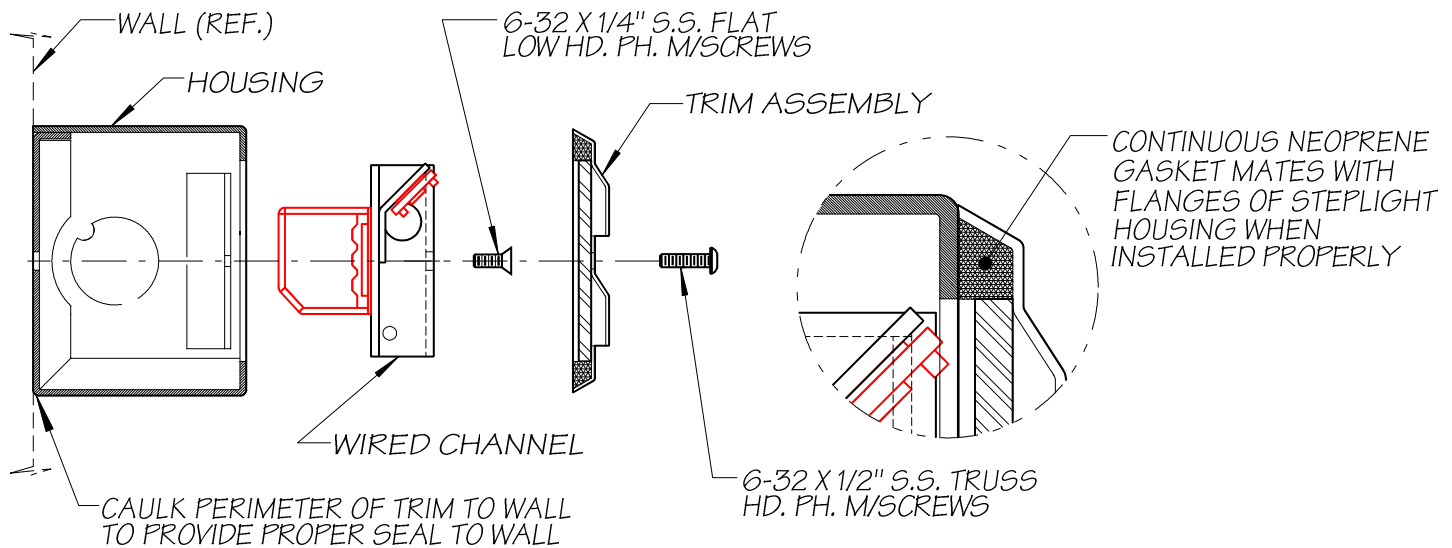
Installation Instruction Sheet

SL150H - Surface mount



STEP 1

Remove wired channel assembly. Bring supply wire through desired conduit entrance. Using (2) mounting holes in back of housing, install surface mount housing to wall (suitable for damp locations).

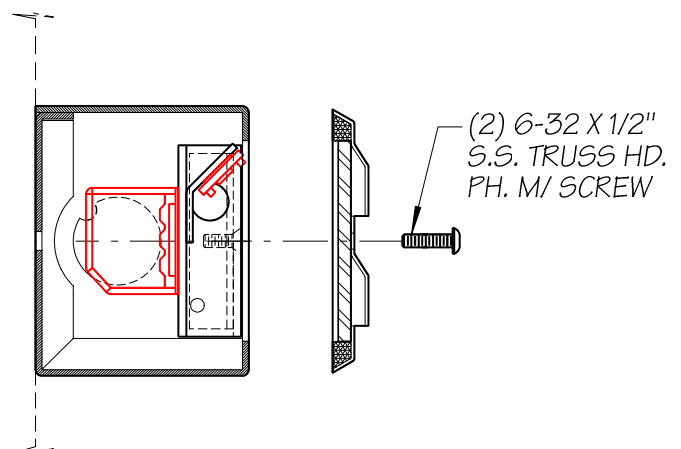


STEP 2

Ensure that power to unit is off. Splice supply wires to lead wires from wired channel. Replace wired channel and fasten in place. Mount finished trim to housing using factory supplied (2) 6-32 X 1/2" stainless steel truss head screws ensuring gasket is in place for proper seal.

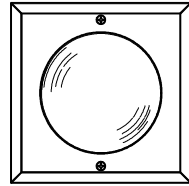
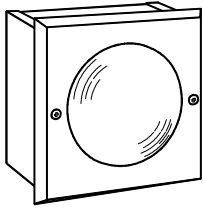
NOTE:

- * THIS PRODUCT MUST BE INSTALLED IN ACCORDANCE WITH THE APPLICABLE INSTALLATION CODE BY A PERSON FAMILIAR WITH THE CONSTRUCTION AND OPERATION OF THE PRODUCT AND THE HAZARDS INVOLVED.
- * CONTACT WITH ACID-WASH OF ANY TYPE TO ANY SURFACE OF STEPLIGHT WILL/MAY VOID WARRANTY.
- * RECESSED HOUSING NOT SEALED FROM MOISTURE THROUGH WALL. IF NECESSARY, PROTECTION MUST BE PROVIDED TO PREVENT WATER FROM ENTERING HOUSING INSIDE OF WALL.

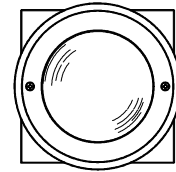
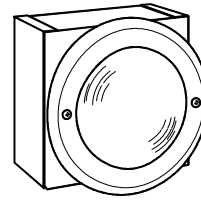


Installation Instruction Sheet

L150G/PAS & L150G/PAR SERIES (LED) T150G/PAS & T150G/PAR SERIES (Medium base lamp)



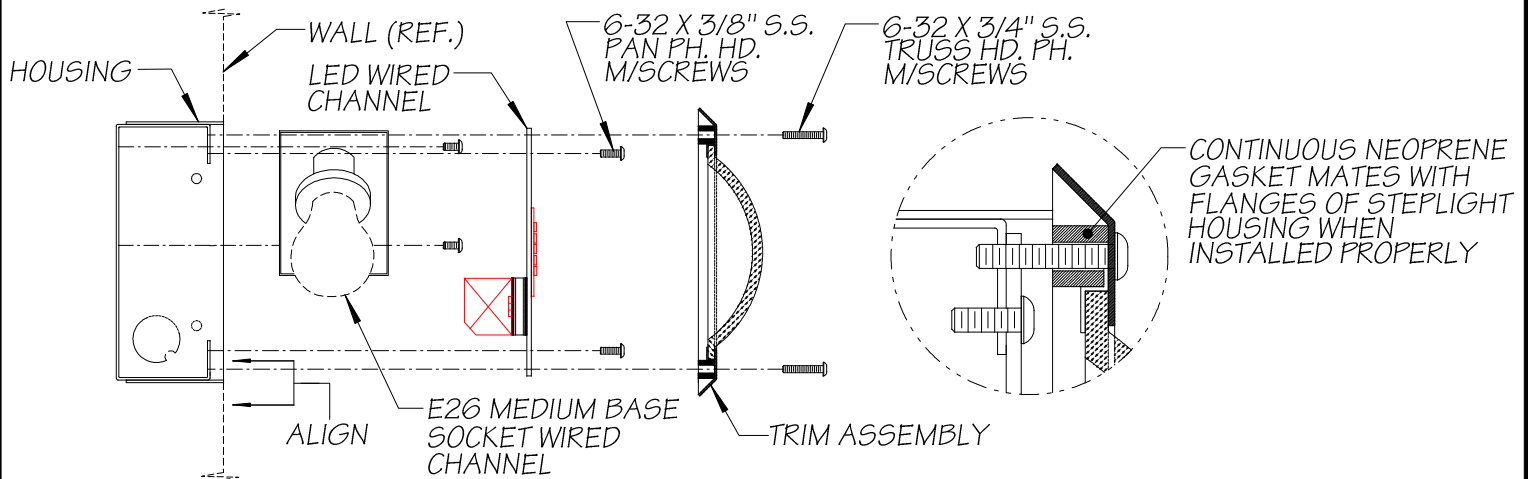
L150G/PAS & T150G/PAS



T150G/PAR & T150G/PAR

STEP 1

Remove wired channel. Bring supply wire through desired entrance. Using mounting holes of housing, install 18 ga. steel housing (suitable for concrete pour) into wall ensuring that front of housing aligns with finished wall surface. Alignment of the two ensures proper weather seal.



STEP 2

Ensure that power to unit is off. Splice supply wires with lead wires of wired channel. Replace wired channel and fasten in place (insert lamp into socket if applicable). Mount finished trim to housing using factory supplied (2) 6-32 x 3/4" stainless steel truss head m/screws ensuring gasket is in place for proper seal.

NOTE:

- * THIS PRODUCT MUST BE INSTALLED IN ACCORDANCE WITH THE APPLICABLE INSTALLATION CODE BY A PERSON FAMILIAR WITH THE CONSTRUCTION AND OPERATION OF THE PRODUCT AND THE HAZARDS INVOLVED.
- * CONTACT WITH ACID-WASH OF ANY TYPE TO ANY SURFACE OF STEPLIGHT WILL/MAY VOID WARRANTY.
- * RECESSED HOUSING NOT SEALED FROM MOISTURE THROUGH WALL. IF NECESSARY, PROTECTION MUST BE PROVIDED TO PREVENT WATER FROM ENTERING HOUSING INSIDE OF WALL.

