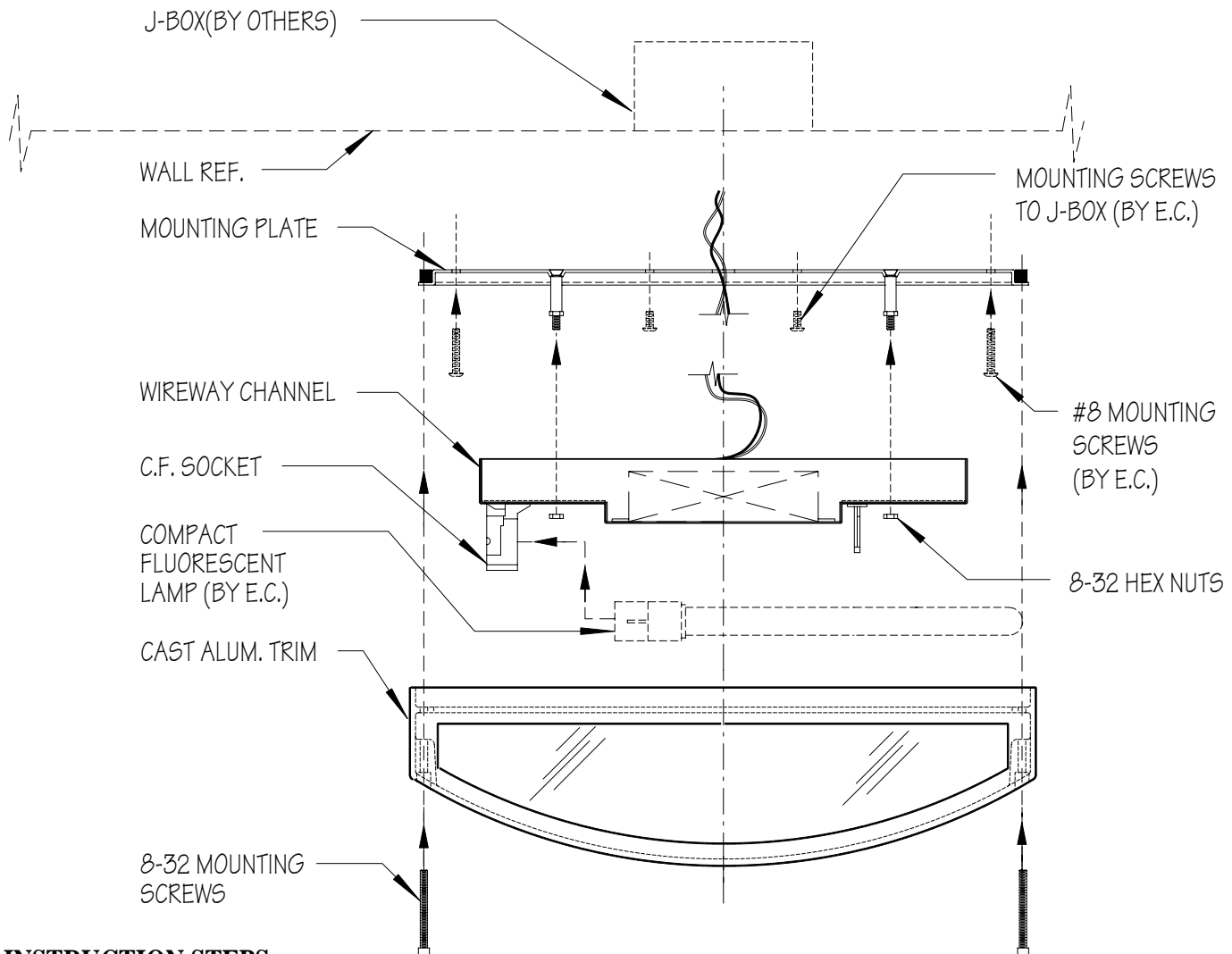


INSTALLATION INSTRUCTION SHEET

2500 SERIES FANNYPACK



INSTRUCTION STEPS:

- 1) FASTEN MOUNTING PLATE TO WALL.
- 2) CAULK PERIMETER OF MOUNTING PLATE FOR WATER TIGHT SEAL.
- 3) MAKE ELECTRICAL WIRE CONNECTION TO FIXTURE AND FASTEN WIREWAY CHANNEL TO MOUNTING PLATE.
- 4) INSERT COMPACT FLUORESCENT LAMP INTO SOCKET. (LAMP BY E.C.)
- 5) ATTACH TRIM OVER FIXTURE AND FASTEN IN PLACE WITH (4) 8-32 MOUNTING SCREWS.
- 6) CAULK PERIMETER OF TRIM TO WALL TO PROVIDE PROPER SEAL TO WALL.

NOTE:

* THIS PRODUCT MUST BE INSTALLED IN ACCORDANCE WITH THE APPLICABLE INSTALLATION CODE BY A PERSON FAMILIAR WITH THE CONSTRUCTION AND OPERATION OF THE PRODUCT AND THE HAZARDS INVOLVED.

* CONTACT WITH ACID-WASH OF ANY TYPE TO ANY SURFACE OF STEPLIGHT WILL/MAY VOID WARRANTY.

* RECESSED HOUSING NOT SEALED FROM MOISTURE. PROTECTION MUST BE PROVIDED TO PREVENT WATER FROM ENTERING HOUSING.

REVISIONS

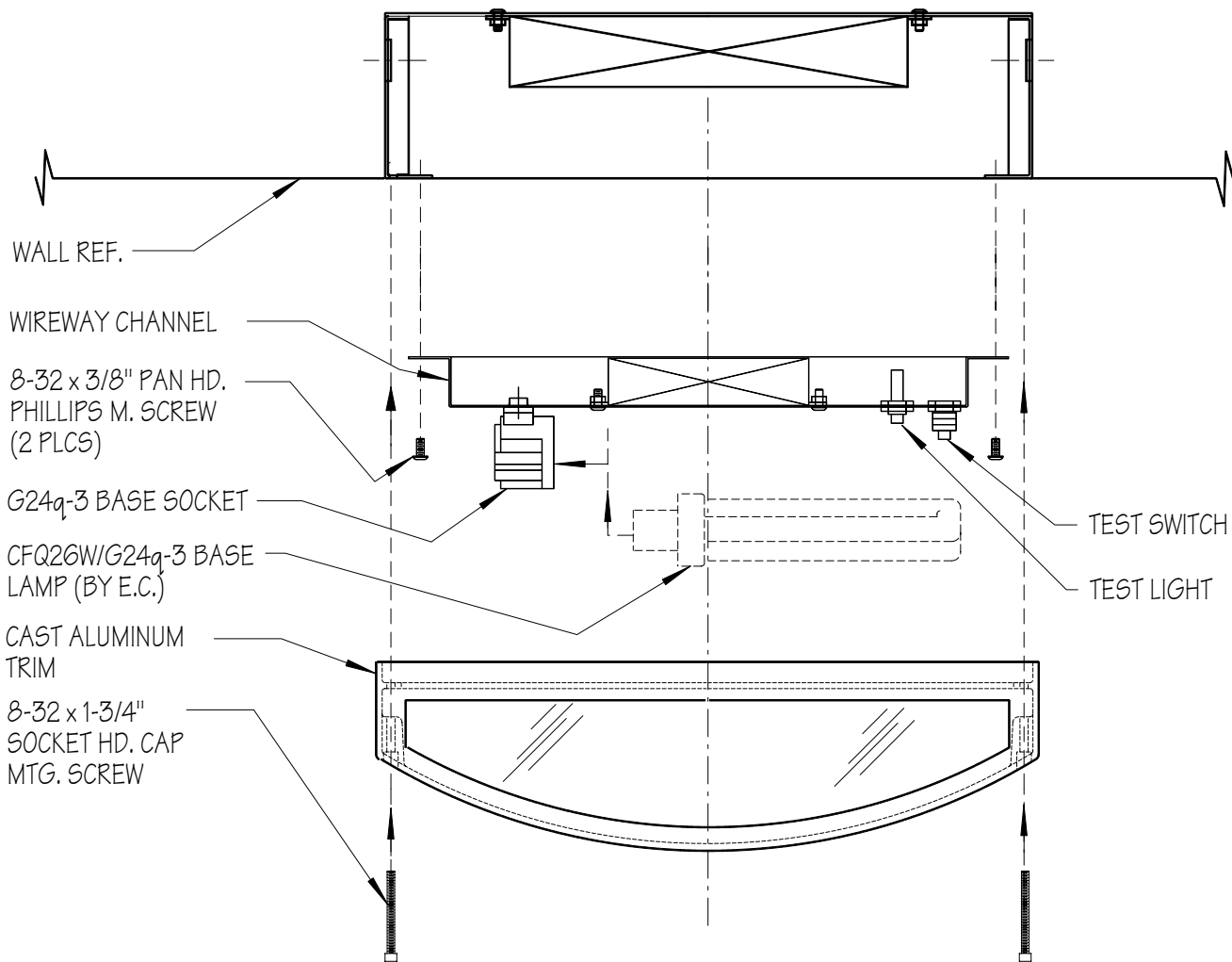
10/22/04

9/8/10

1-22-13 E.V.

INSTALLATION INSTRUCTION SHEET

2500 SERIES FANNYPACK W/ EMERGENCY BATTERY PACK



INSTRUCTION STEPS:

- 1) INSTALL RECESSED BOX INTO WALL.
- 2) CAULK PERIMETER OF RECESSED BOX FOR WATER TIGHT SEAL.
- 3) MAKE ELECTRICAL WIRE CONNECTION TO FIXTURE AND FASTEN WIREWAY CHANNEL TO RECESSED BOX.
- 4) INSERT LAMP INTO SOCKET. (LAMP BY E.C.)
- 5) ATTACH TRIM OVER FIXTURE AND FASTEN IN PLACE WITH (4) 8-32 MOUNTING SCREWS.
- 6) CAULK PERIMETER OF TRIM TO WALL TO PROVIDE PROPER SEAL TO WALL.

NOTE:

* THIS PRODUCT MUST BE INSTALLED IN ACCORDANCE WITH THE APPLICABLE INSTALLATION CODE BY A PERSON FAMILIAR WITH THE CONSTRUCTION AND OPERATION OF THE PRODUCT AND THE HAZARDS INVOLVED.

* CONTACT WITH ACID-WASH OF ANY TYPE TO ANY SURFACE OF STEPLIGHT WILL/MAY VOID WARRANTY.

* RECESSED HOUSING NOT SEALED FROM MOISTURE. PROTECTION MUST BE PROVIDED TO PREVENT WATER FROM ENTERING HOUSING.

REVISIONS

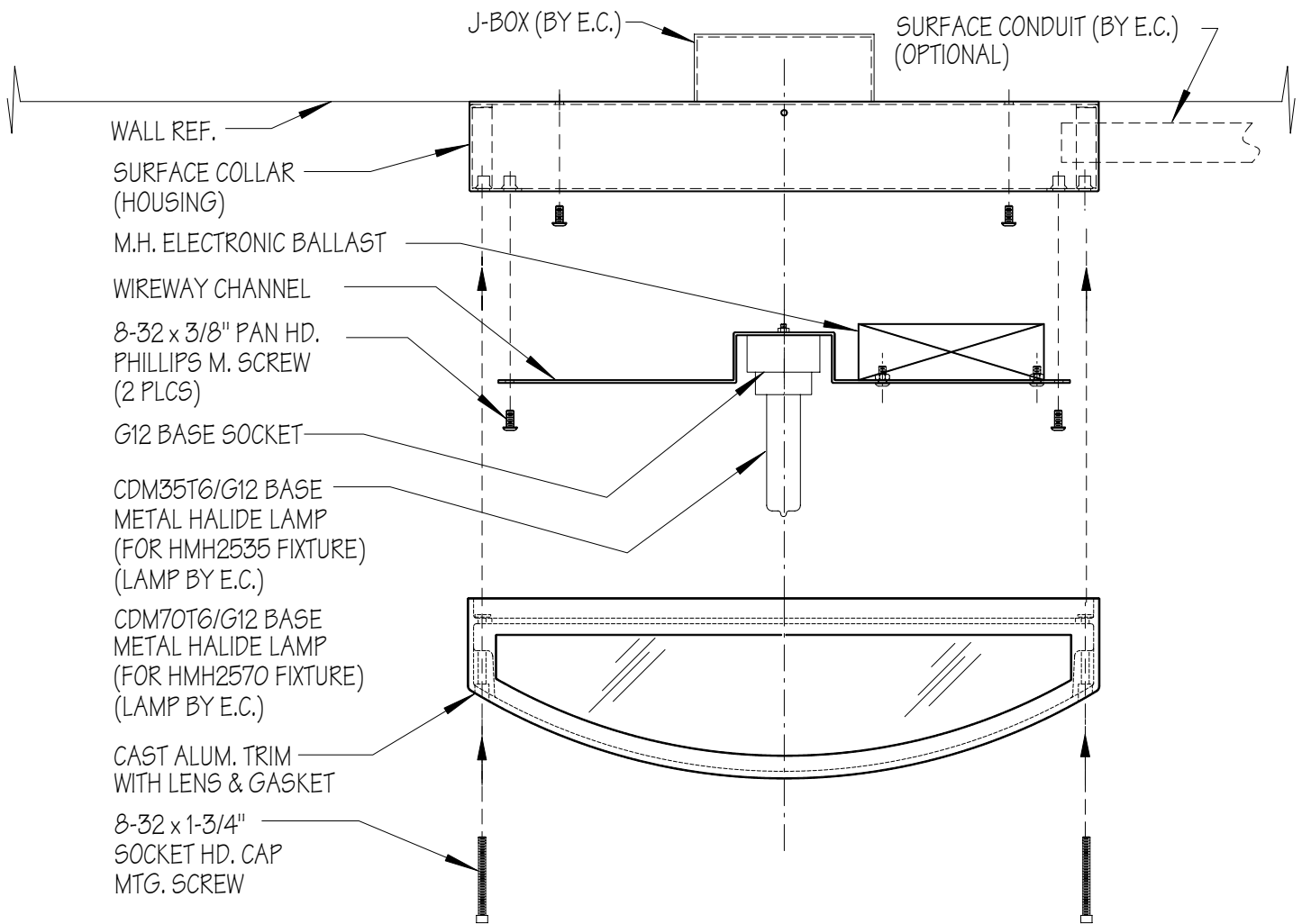
10/22/04

9/9/10

1-23-13 E.V.

INSTALLATION INSTRUCTION SHEET

HMH2535 & HMH2570 SERIES FANNYPACK (SURFACE COLLAR)



INSTRUCTION STEPS:

- 1) INSTALL SURFACE COLLAR (HOUSING) TO WALL.
- 2) CAULK PERIMETER OF SURFACE COLLAR (HOUSING) FOR WATER TIGHT SEAL.
- 3) ADD CONDUIT HOLES IN SIDES OF COLLAR IF USING SURFACE CONDUIT ELECTRICAL FEED.
- 4) MAKE ELECTRICAL WIRE CONNECTION TO FIXTURE AND FASTEN WIREWAY CHANNEL TO SURFACE COLLAR (HOUSING).
- 5) INSERT LAMP INTO SOCKET. (LAMP BY E.C.)
- 6) ATTACH TRIM OVER FIXTURE AND FASTEN IN PLACE WITH (4) 8-32 MOUNTING SCREWS.

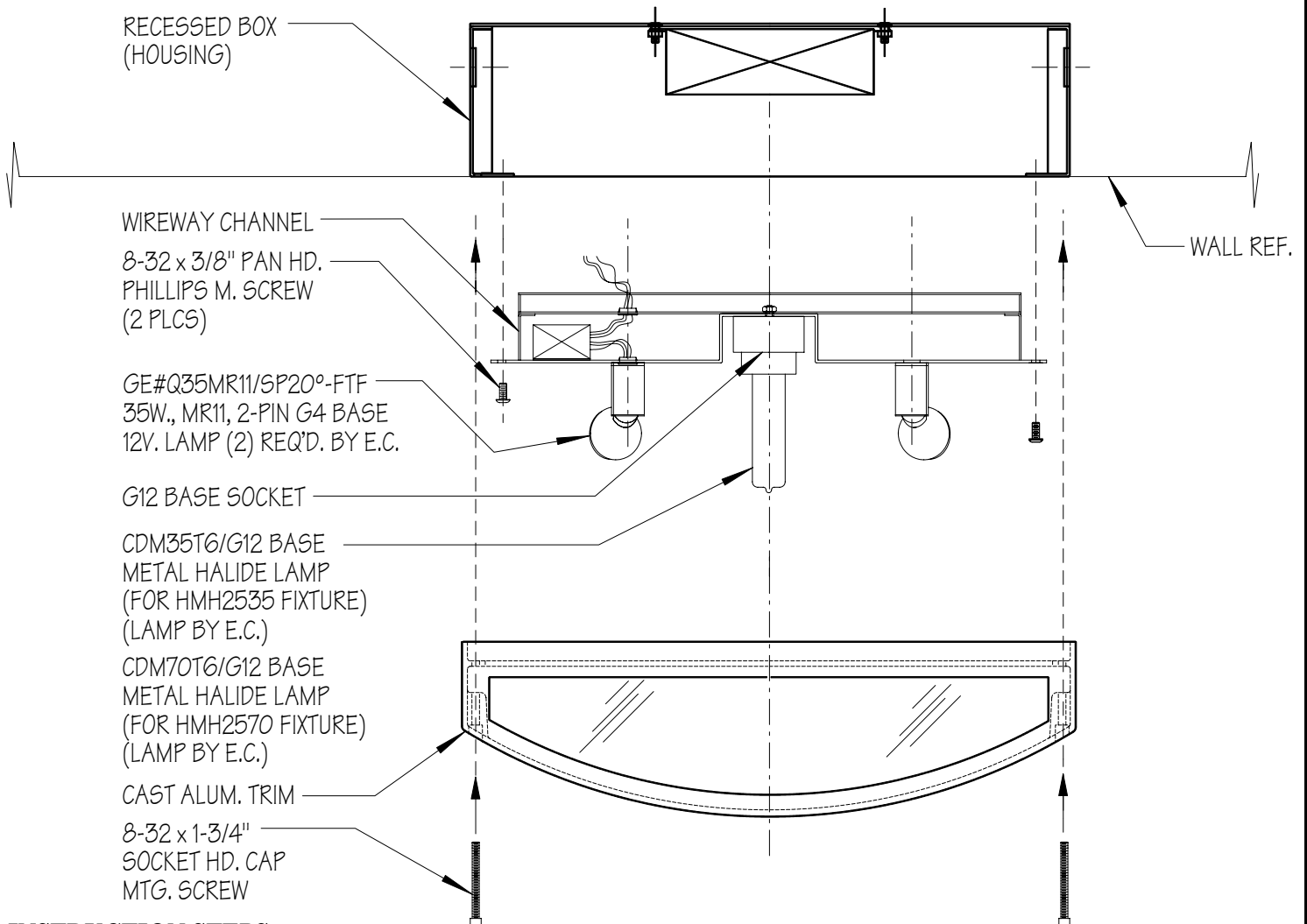
NOTE:

- * THIS PRODUCT MUST BE INSTALLED IN ACCORDANCE WITH THE APPLICABLE INSTALLATION CODE BY A PERSON FAMILIAR WITH THE CONSTRUCTION AND OPERATION OF THE PRODUCT AND THE HAZARDS INVOLVED.
- * CONTACT WITH ACID-WASH OF ANY TYPE TO ANY SURFACE OF STEPLIGHT WILL/MAY VOID WARRANTY.
- * SURFACE MOUNT HOUSING NOT SEALED FROM MOISTURE. PROTECTION MUST BE PROVIDED TO PREVENT WATER FROM ENTERING HOUSING.

REVISIONS
1-22-13 E.V.

INSTALLATION INSTRUCTION SHEET

HMH2535 & HMH2570EGR SERIES FANNYPACK



INSTRUCTION STEPS:

- 1) INSTALL RECESSED BOX INTO WALL.
- 2) CAULK PERIMETER OF RECESSED BOX FOR WATER TIGHT SEAL.
- 3) MAKE ELECTRICAL WIRE CONNECTION TO FIXTURE FOR H.I.D. CIRCUIT & MR11-E.G.R. CIRCUIT AND FASTEN WIREWAY CHANNEL TO RECESSED BOX.
- 4) INSERT LAMP INTO SOCKET. (LAMP BY E.C.)
- 5) ATTACH TRIM OVER FIXTURE AND FASTEN IN PLACE WITH (4) 8-32 MOUNTING SCREWS.
- 6) CAULK PERIMETER OF TRIM TO WALL TO PROVIDE PROPER SEAL TO WALL.

NOTE:

- * THIS PRODUCT MUST BE INSTALLED IN ACCORDANCE WITH THE APPLICABLE INSTALLATION CODE BY A PERSON FAMILIAR WITH THE CONSTRUCTION AND OPERATION OF THE PRODUCT AND THE HAZARDS INVOLVED.
- * CONTACT WITH ACID-WASH OF ANY TYPE TO ANY SURFACE OF STEPLIGHT WILL/MAY VOID WARRANTY.
- * RECESSED HOUSING NOT SEALED FROM MOISTURE. PROTECTION MUST BE PROVIDED TO PREVENT WATER FROM ENTERING HOUSING.

REVISIONS
4-26-05
9-9-10
1-22-13 E.V.