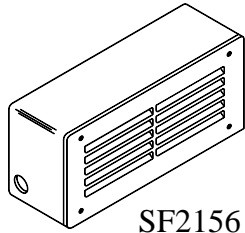
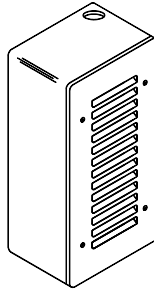


# INSTALLATION INSTRUCTION SHEET

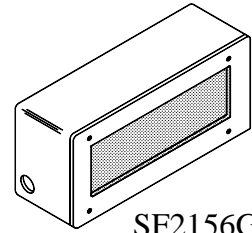
## 2156 SERIES - SURFACE MOUNT



SF2156  
ST2156  
SL2156



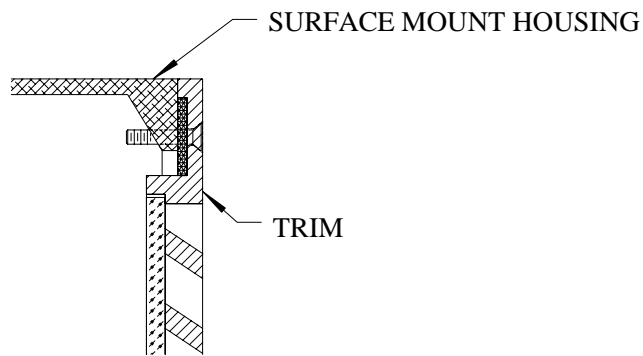
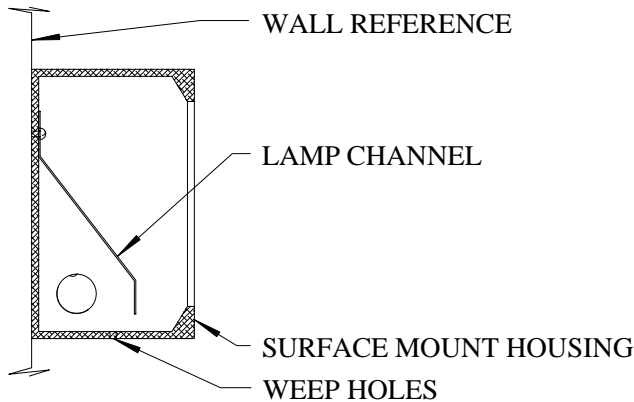
SF2156V  
ST2156V  
SL2156V



SF2156G  
ST2156G  
SL2156G

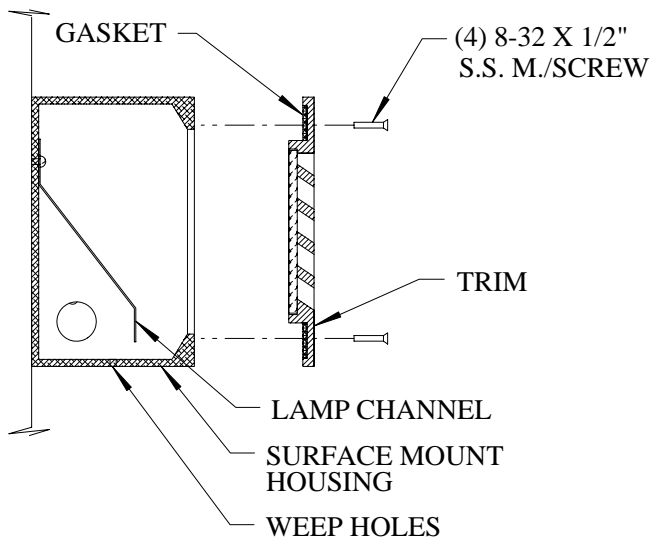
### STEP 1

Remove lamp channel. Bring supply wire through desired threaded entrance\*. Drill a minimum of (2) mounting holes in top, back, or sides as required for mounting condition. Install aluminum housing onto wall with weep holes located at bottom of housing. For vertical mounted housing, drill (2) 3/16" weep holes at bottom of housing; then seal existing weep holes that were provided for horizontal mounting. Caulk perimeter of housing to ensure proper seal to mounting surface in wet and damp locations. \*Additional conduit entries may be field added behind lamp channel area.



### STEP 2

Ensure that power to unit is off. Splice supply wires to lead wires from lamp channel. Replace lamp channel and fasten in place. Mount finished trim to housing using (4) factory supplied 8-32 x 1/2" stainless steel m./ screws, ensuring gasket is in place for proper seal.



#### NOTE:

THIS PRODUCT MUST BE INSTALLED IN ACCORDANCE WITH THE APPLICABLE INSTALLATION CODE BY A PERSON FAMILIAR WITH THE CONSTRUCTION AND OPERATION OF THE PRODUCT AND THE HAZARDS INVOLVED.

CONTACT WITH ACID-WASH OF ANY TYPE TO ANY SURFACE OF STEPLIGHT WILL/MAY VOID WARRANTY.

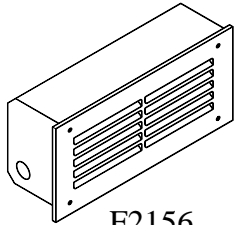
SURFACE HOUSING NOT SUBMERSIBLE PROTECTION MUST BE PROVIDED TO PREVENT WATER FROM ENTERING HOUSING AND CONDUIT ENTRIES.

#### REVISIONS

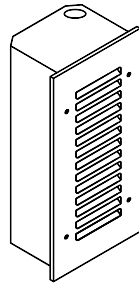
08-30-10 - J WMS
9-3-10 CO., 8-14-12 DTW
12-31-12 E.V.

# INSTALLATION INSTRUCTION SHEET

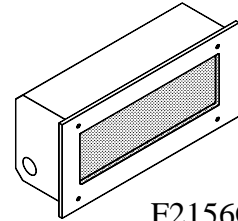
## 2156 SERIES - RECESSED MOUNT



F2156  
T2156  
L2156



F2156V  
T2156V  
L2156V

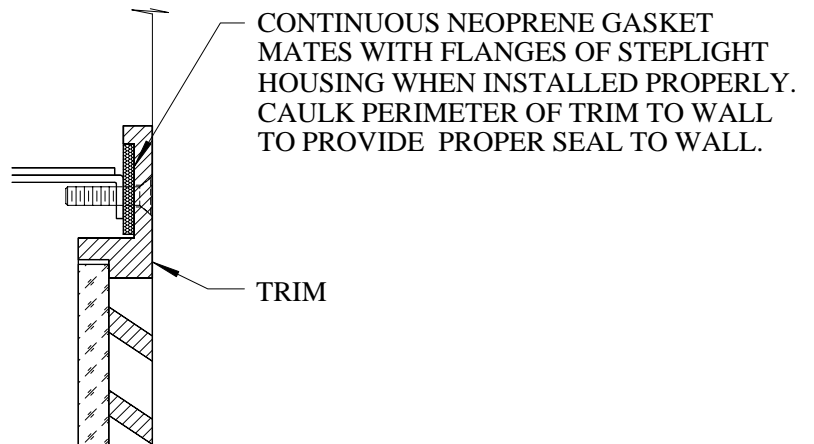
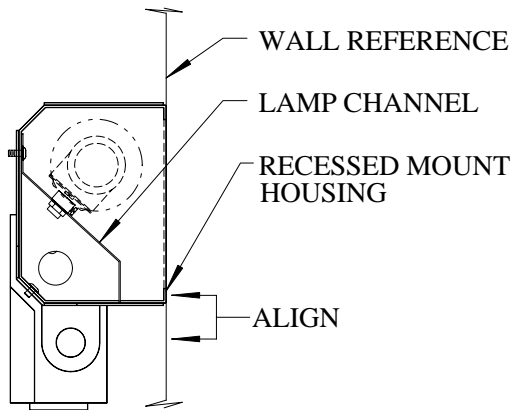


F2156G  
T2156G  
L2156G

### STEP 1

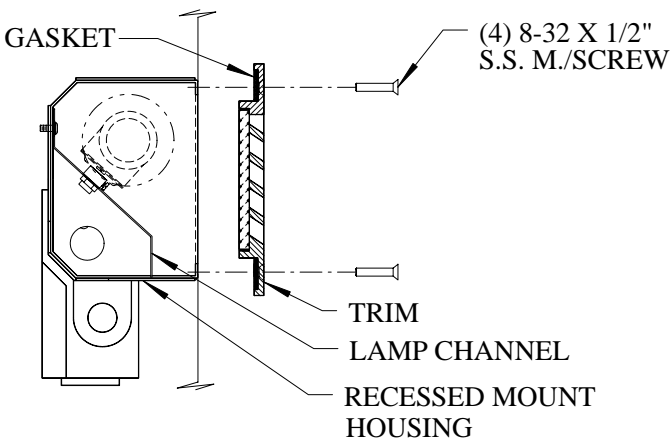
Remove wired channel. Bring supply wire through desired entrance. Using mounting holes of housing flange, install 16 ga. steel housing (suitable for concrete pour) into wall ensuring that front of housing aligns with *finished wall surface*. *Alignment of the two ensures proper weather seal.*

Caulk perimeter of housing to ensure proper seal to wall in wet and damp locations.



### STEP 2

Ensure that power to unit is off. Splice supply wires to lead wires from lamp channel. Replace lamp channel and fasten in place. Mount finished trim to housing using (4) factory supplied 8-32 x 1/2" stainless steel m./ screws, ensuring gasket is in place for proper seal.



#### NOTE:

THIS PRODUCT MUST BE INSTALLED IN ACCORDANCE WITH THE APPLICABLE INSTALLATION CODE BY A PERSON FAMILIAR WITH THE CONSTRUCTION AND OPERATION OF THE PRODUCT AND THE HAZARDS INVOLVED.

CONTACT WITH ACID-WASH OF ANY TYPE TO ANY SURFACE OF STEPLIGHT WILL/MAY VOID WARRANTY.

RECESSED HOUSING NOT SEALED FROM MOISTURE. PROTECTION MUST BE PROVIDED TO PREVENT WATER FROM ENTERING HOUSING AND CONDUIT ENTRIES.

#### REVISIONS

08-30-10 - J WMS
9-3-10 CO., 8-14-12 DTW
12-31-12 E.V.