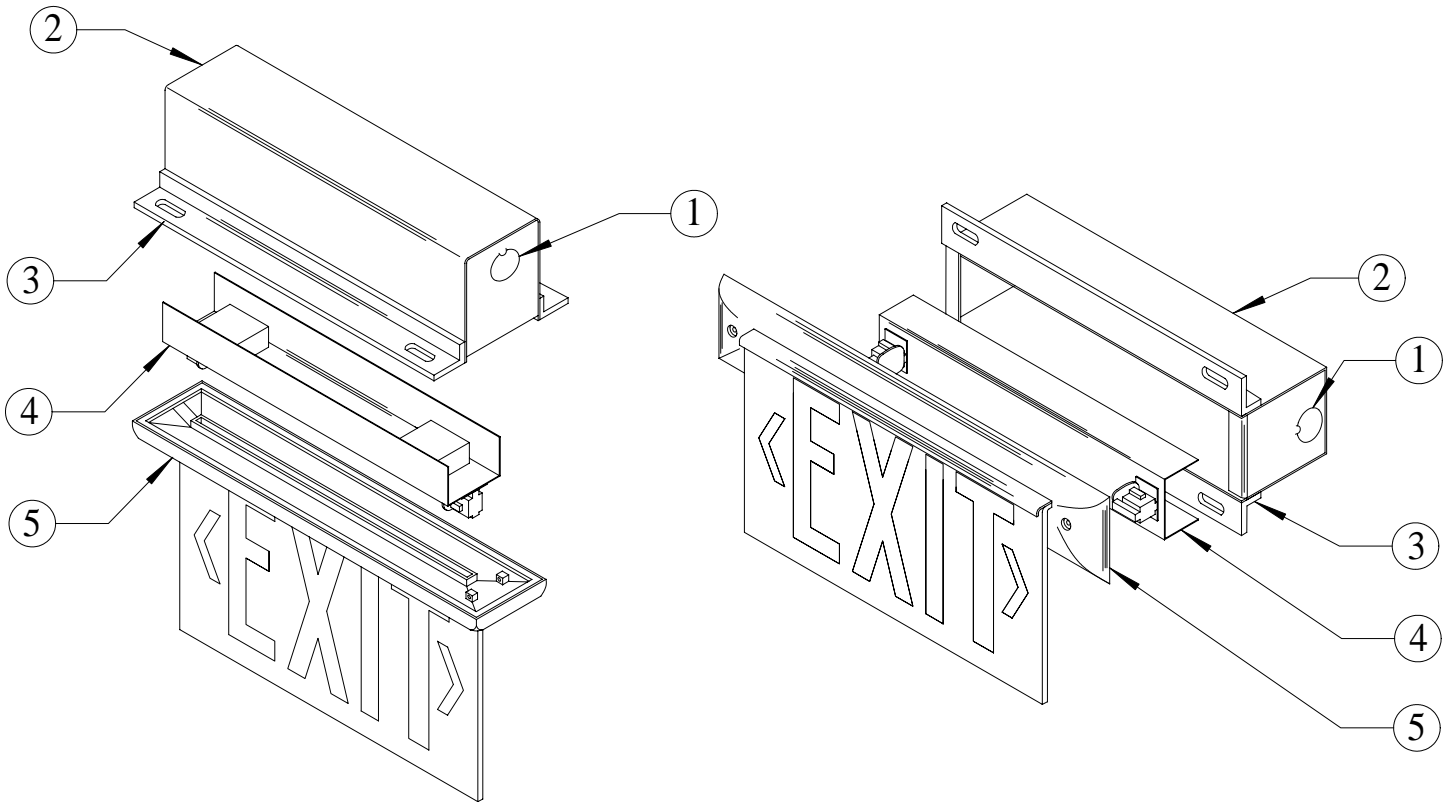


# EXIT SIGN INSTRUCTIONS

CATALOG NO.: KSRF-612, KSRFD-612, KWSRF-612



**MOUNTING** For either ceiling or wall mounted signs, punch out desired knockout (1) on either end of housing, and feed wires through. Mount housing (2) in place using mounting angles (3) provided.

**ELECTRICAL** Upon completing splice of wires, mount channel (4) to housing using fasteners provided. Note that the two lamps are wired to separate circuits.

**COVERS** Attach concealed hinge from the housing (2) to the trim (5) Use furnished screws to fasten trim to housing. Ceiling mounted signs have a white backing behind acrylic frame, and are available with double face.

## NOTE:

"THIS PRODUCT MUST BE INSTALLED IN ACCORDANCE WITH THE APPLICABLE INSTALLATION CODE BY A PERSON FAMILIAR WITH THE CONSTRUCTION AND OPERATION OF THE PRODUCT AND THE HAZARDS INVOLVED".

## REVISIONS

10/22/04

1-23-13 E.V.