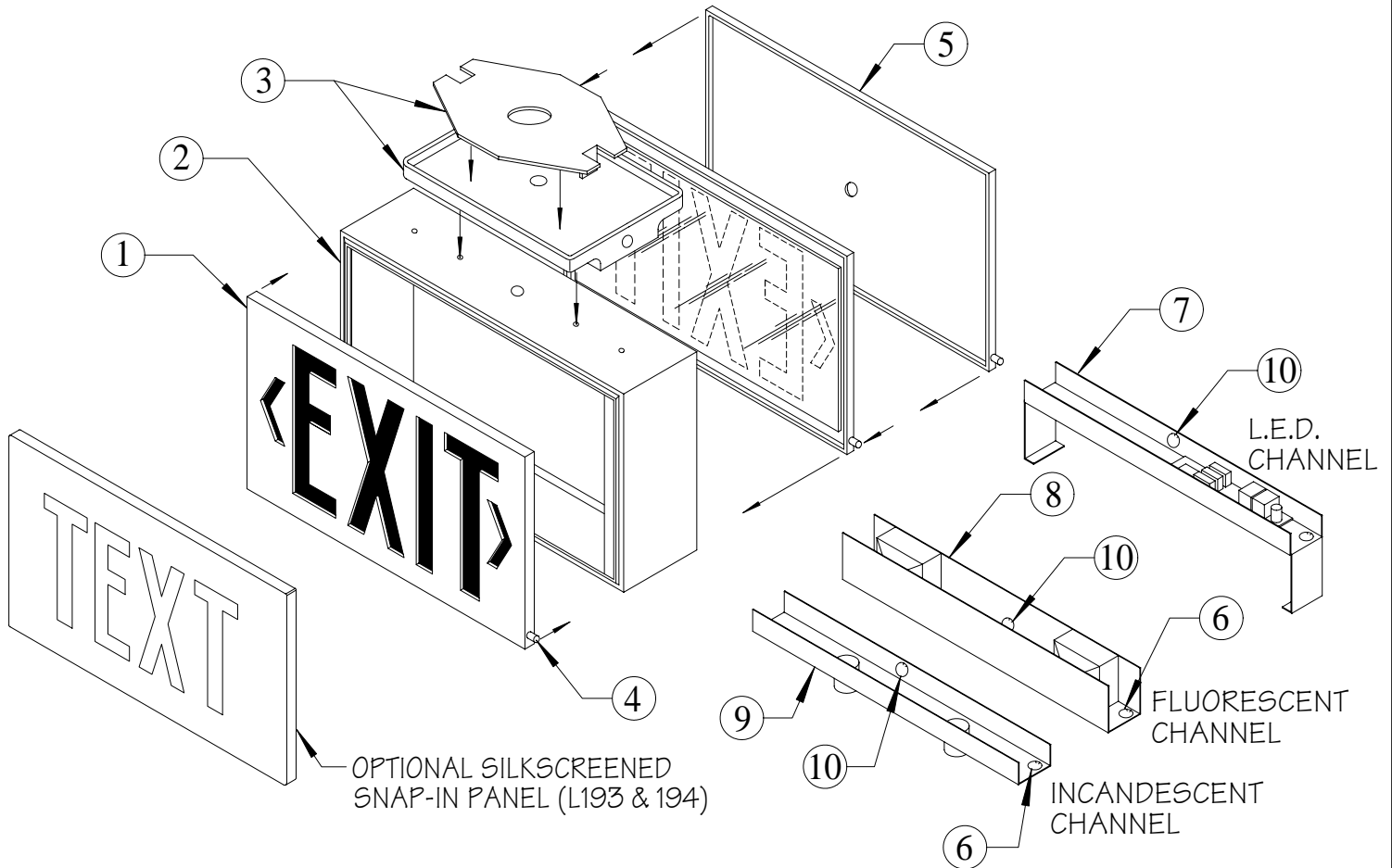


EXIT SIGN INSTRUCTIONS

CATALOG NO.: T195, T196, T198, TD196, TD198
 F195, F196, F198, FD196, FD198
 L195, L196, L198, LD196, LD198
 S193, S194, S192



MOUNTING Back mounted signs are provided with back (5) attached. For bracket mount, use clearance holes in top or end of housing (2) as required. Attach bracket (3) to housing with screws furnished.

ELECTRICAL For top mounted signs, feed wires thru top hole and install channel (7) (8) (9) For end mounted signs, remove knockout (6) near end of channel and install bushing. Feed wires thru bushing and thru hole in end of housing. For back mounted signs, remove knockout (10) in back center of channel and install bushing. Feed wires thru bushing and thru back. Mount channel to housing with screws furnished.

COVERS Exit faces are available with an arrow pointing left, an arrow pointed right, or two arrows; one to the left, and one to the right. Cover cut out trims (1), with acrylic panels, are available in green or red panels. Exit faces are fastened by hinge (4) at bottom and machine screw at top. Blank covers are provided for one faced signs.

NOTE:

"THIS PRODUCT MUST BE INSTALLED IN ACCORDANCE WITH THE APPLICABLE INSTALLATION CODE BY A PERSON FAMILIAR WITH THE CONSTRUCTION AND OPERATION OF THE PRODUCT AND THE HAZARDS INVOLVED".

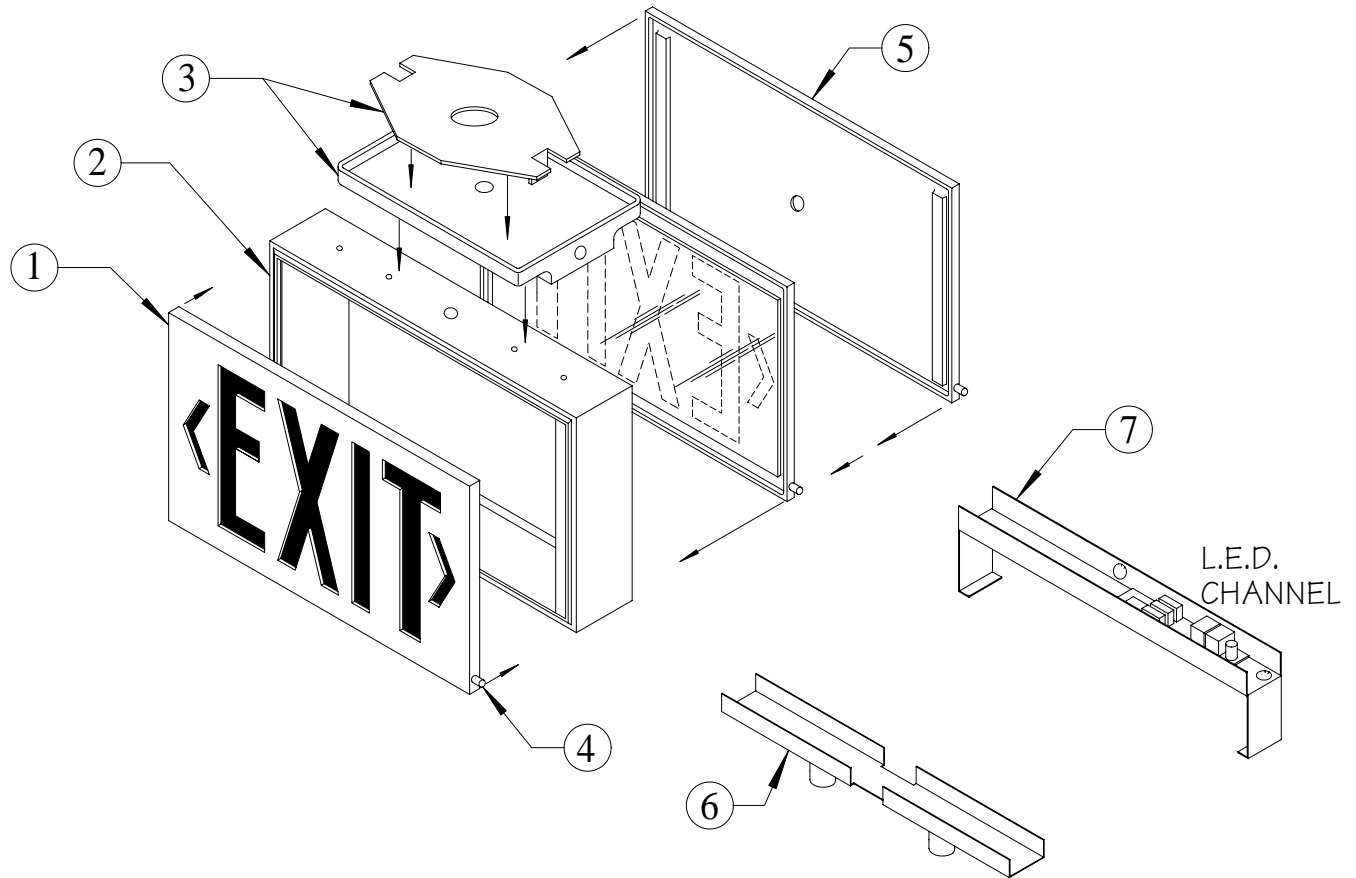
REVISIONS

1-23-13 E.V.

COLE
Lighting

EXIT SIGN INSTRUCTIONS

CATALOG NO.: T295, T296, T298, TD296, TD298
L295, L296, L298



MOUNTING Back mounted signs are provided with back (5) attached. For bracket mount, use clearance holes in top or end of housing (2) as required. Attach bracket (3) to housing with screws furnished.

ELECTRICAL For top mounted signs, feed wires thru top hole and install channel (6) or (7). For end mounted signs, feed wires thru slot of channel and then thru hole in end of housing. For back mounted signs, feed wires thru slot of channel and then thru bushing in back cover. Mount channel to housing with screws furnished.

COVERS Exit faces are available with an arrow pointing left, an arrow pointed right, or two arrows; one to the left, and one to the right. Cover cut out trims (1), with acrylic panels, are available in green or red panels. Exit faces are fastened by hinge (4) at bottom and machine screw at top. Blank covers are provided for one faced signs.

NOTE:

"THIS PRODUCT MUST BE INSTALLED IN ACCORDANCE WITH THE APPLICABLE INSTALLATION CODE BY A PERSON FAMILIAR WITH THE CONSTRUCTION AND OPERATION OF THE PRODUCT AND THE HAZARDS INVOLVED".

REVISIONS

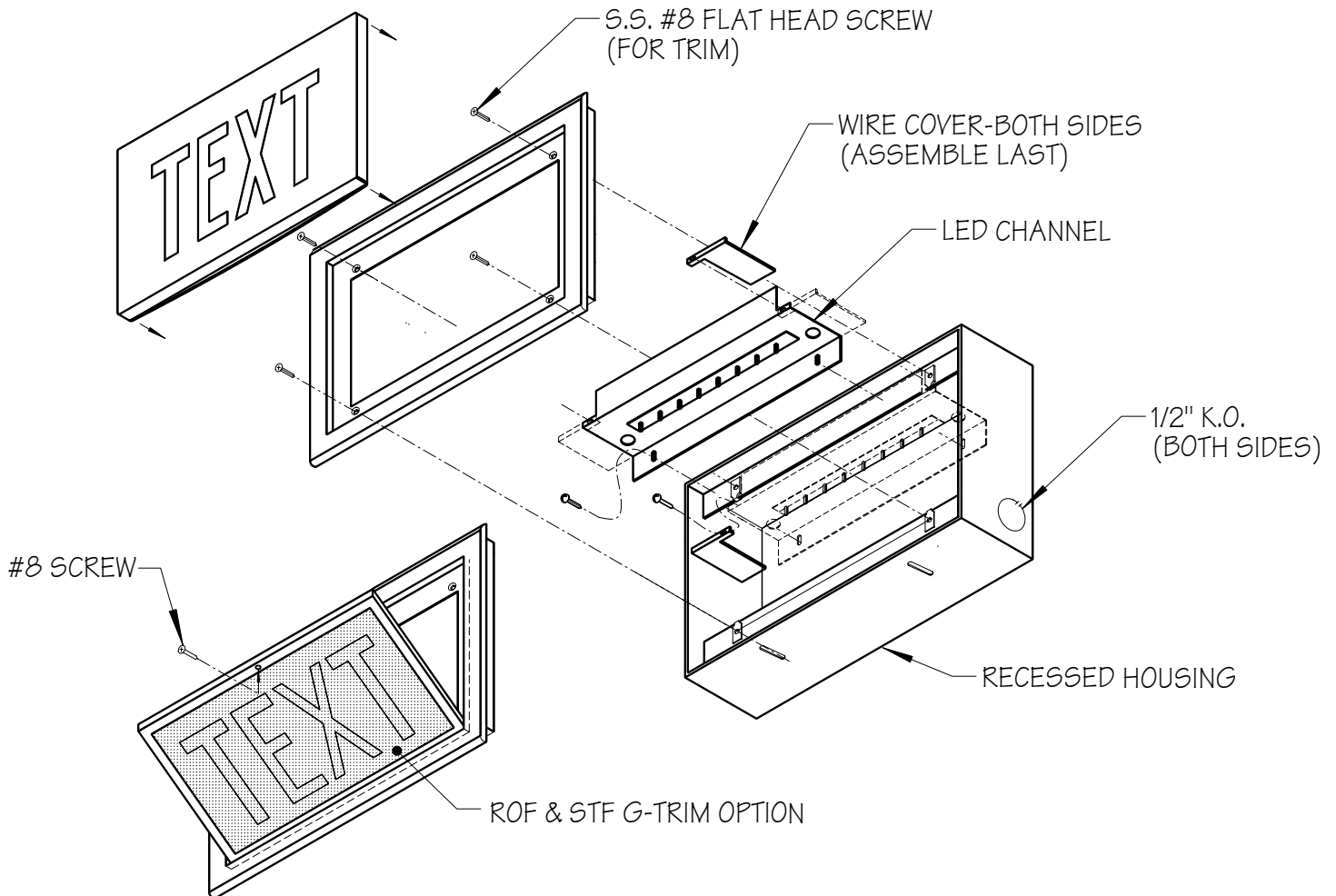
10/22/04

10/08/08

1-23-13 E.V.

Installation Instruction Sheet

CATALOG NOS.: L197, L207 & S191-L RECESSED SERIES



RECESSED MOUNTING INSTALLATION: (VIEW LOOKING UP)

- Step 1. Turn off electrical power supplied to fixture.
- Step 2. Use #8 screws to place housing in recess area.
- Step 3. Attach conduit power feed to housing.
- Step 4. Make wire connections.
- Step 5. Attach LED channel to back of housing, & WIRE COVERS AT SIDES.
- Step 6. Re-attach exit trim to housing using factory supplied 8-32 stainless steel pan phillip head machine screw & snap text panel in place.
(for ROF & STF G-trim options, remove #8 screw at top for access)

NOTE:

"THIS PRODUCT MUST BE INSTALLED IN ACCORDANCE WITH THE APPLICABLE INSTALLATION CODE BY A PERSON FAMILIAR WITH THE CONSTRUCTION AND OPERATION OF THE PRODUCT AND THE HAZARDS INVOLVED".

REVISIONS

REVISIONS