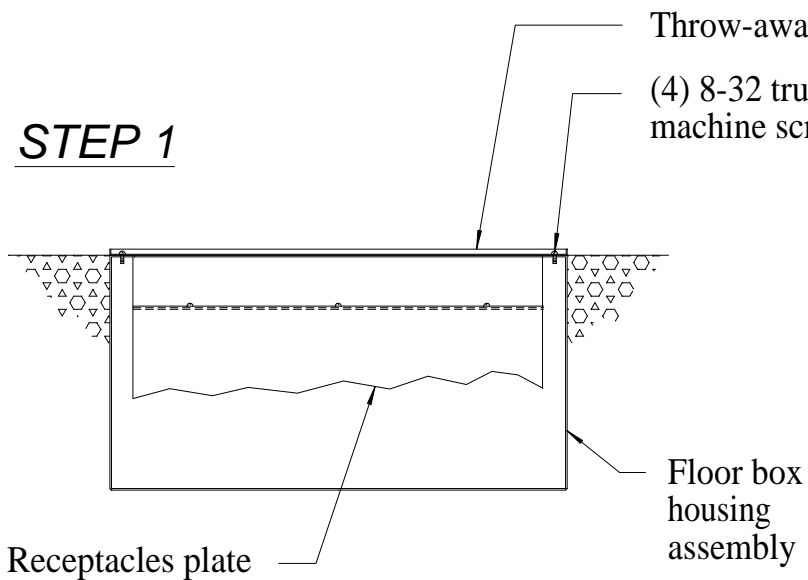


Installation Instruction Sheet

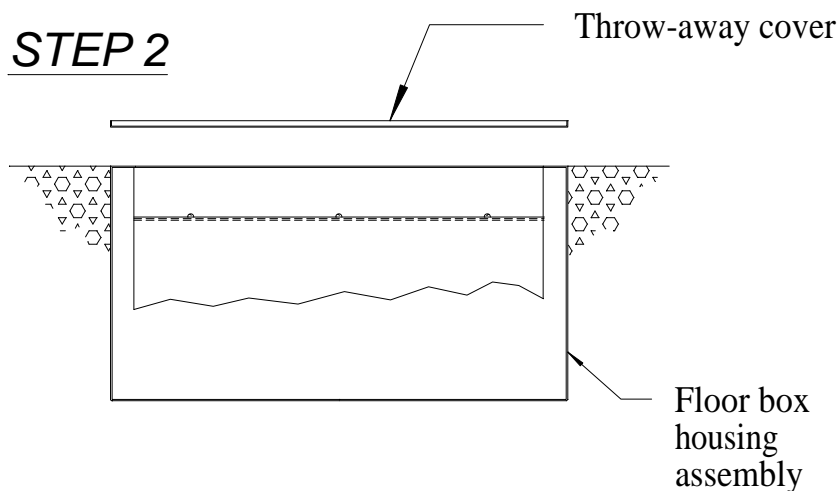
TLS-370

STEP 1



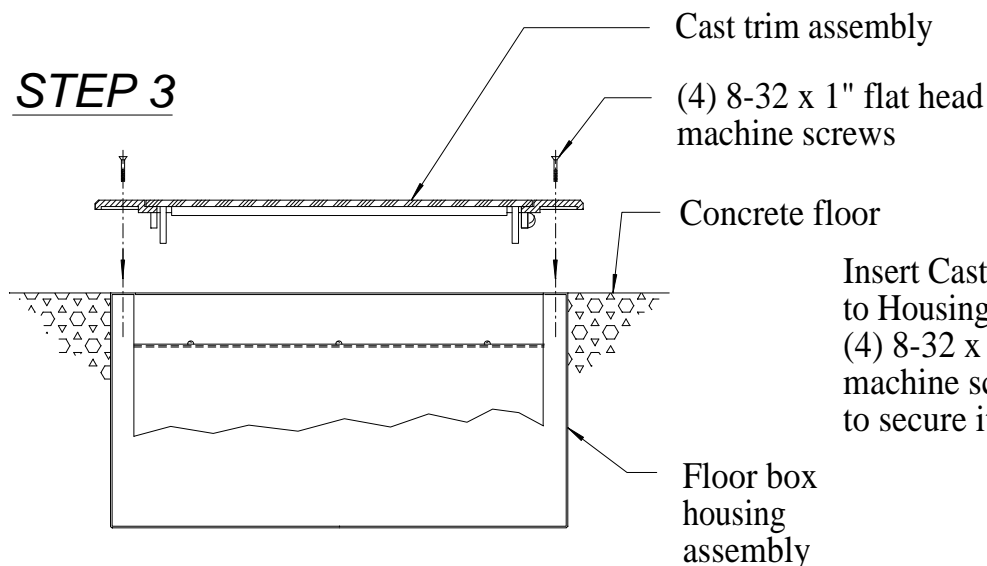
Remove throw-away cover.
Set floor box housing in position for concrete pour.
Remove receptacles plate, run feed wires and connect conduits.
Reinstall throw-away cover, level with finish concrete surface.
Sides of throw-away cover should be treated for easy removal after concrete has hardened.
Pour concrete.

STEP 2



When concrete is fully set, remove and discard throw-away cover, (4) 8-32 truss head machine screws

STEP 3



Insert Cast Trim assembly to Housing. Then install (4) 8-32 x 1" flat head machine screws to secure it in place.

REVISIONS
11/03
11-20-03

COLE
Lighting

Installation Instruction Sheet

TLS-370-CS

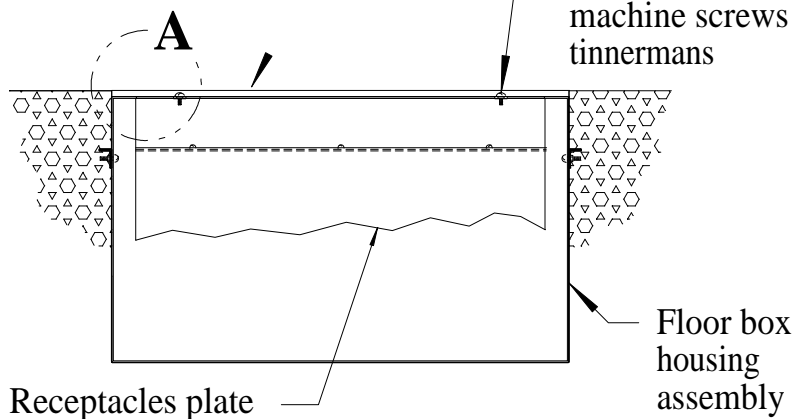
1/4" thk. wood
throw-away cover

8-32 truss head
machine screws

STEP 1

1/4" thk. throw-away
Throw-away cover

(4) 8-32 truss head
machine screws and
tinnermans

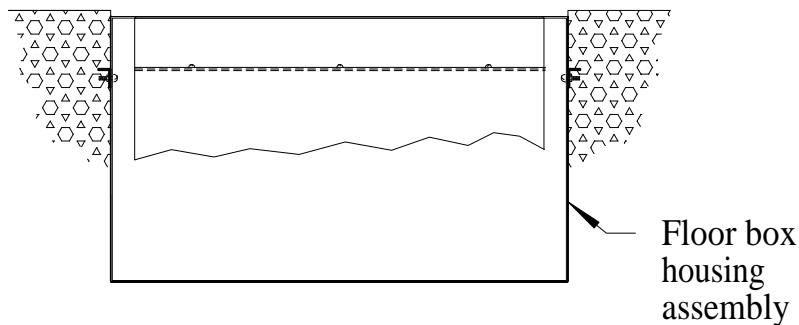


DETAIL "A"

Remove throw-away cover.
Set floor box housing in position
for concrete pour.
Remove pre-cast plates, run feed
wires and connect conduits.
Reinstall throw-away cover and level
top of cover with finish concrete surface.
Sides of throw-away cover should be
treated for easy removal after
concrete has hardened.
Pour concrete.

STEP 2

1/4" thk. throw-away
wood cover



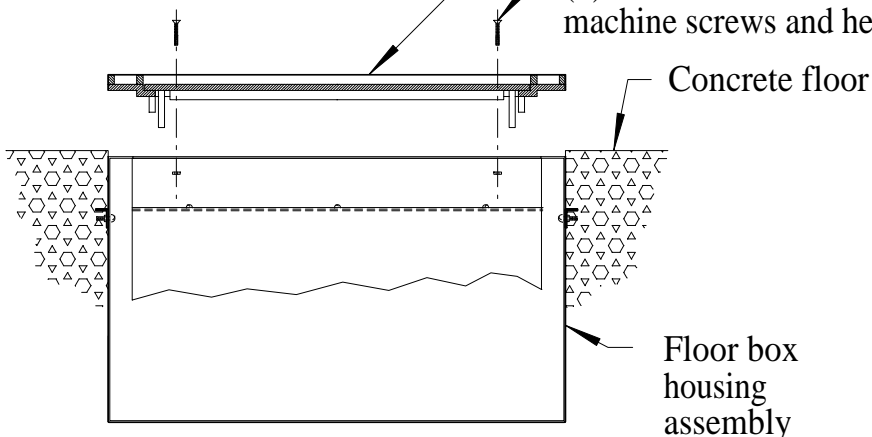
When concrete is fully set, remove
and discard throw-away cover, (4)
8-32 truss head machine screws
and tinnermans.

STEP 3

Cast trim assembly

(4) 8-32 x 1" flat head
machine screws and hex nuts

Concrete floor



Insert Cast Trim assembly
to Housing. Then install
(4) 8-32 x 1" flat head
machine screws with hex nuts
to secure it in place.