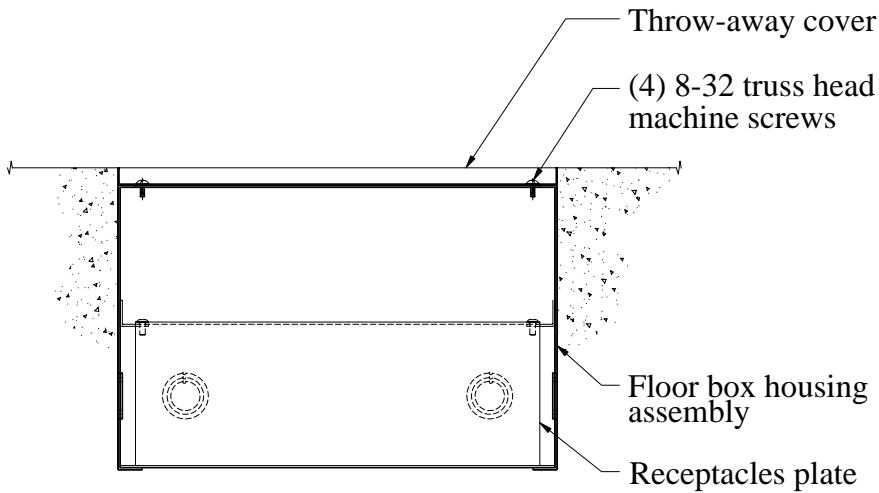


Installation Instruction Sheet

CATALOG NO.: TLS-351-W



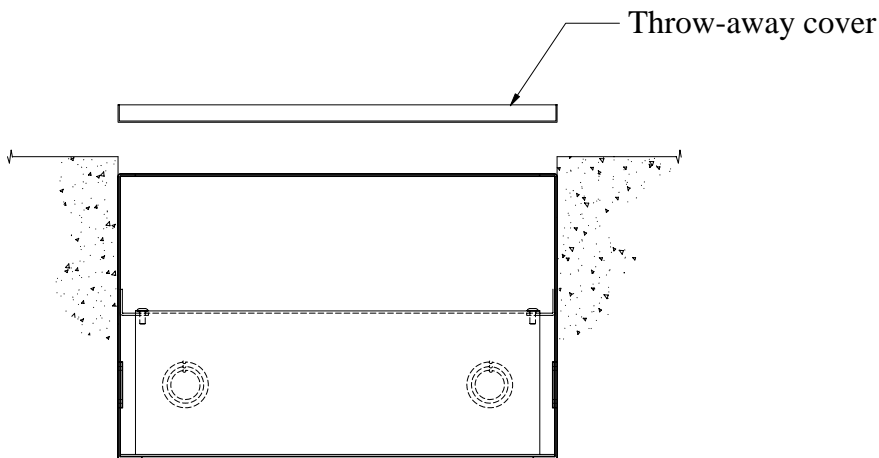
STEP 1

SET FLOOR BOX HOUSING IN POSITION FOR CONCRETE POUR.

REMOVE THROW-AWAY COVER TO GAIN ACCESS TO RECEPTACLE PLATE, REMOVE RECEPTACLE PLATE, RUN FEED WIRES AND CONNECT CONDUIT.

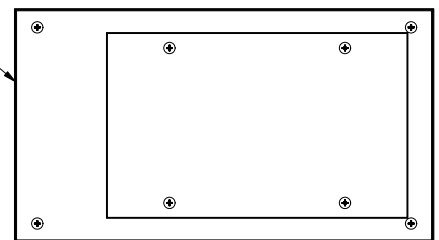
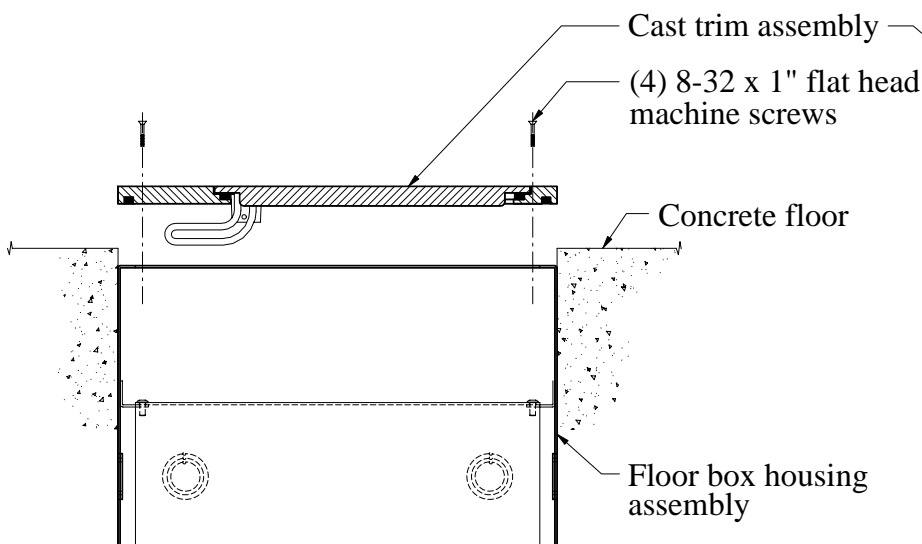
REINSTALL THROW-AWAY COVER, LEVEL WITH FINISH CONCRETE SURFACE.

SIDES OF THROW-AWAY COVER SHOULD BE TREATED FOR EASY REMOVAL AFTER CONCRETE HAS HARDENED.



STEP 2

WHEN CONCRETE IS FULLY SET, REMOVE AND DISCARD THROW-AWAY COVER & (4) 8-32 TRUSS HEAD MACHINE SCREWS.



PLAN

STEP 3

INSERT CAST COVER ASSEMBLY INTO HOUSING & SECURE IN PLACE WITH (4) 8-32 x 1" FLAT HD. MACHINE SCREWS PROVIDED.

NOTE:

"THIS PRODUCT MUST BE INSTALLED IN ACCORDANCE WITH THE APPLICABLE INSTALLATION CODE BY A PERSON FAMILIAR WITH THE CONSTRUCTION AND OPERATION OF THE PRODUCT AND THE HAZARDS INVOLVED".

2560 N. Rosemead Blvd. So. El Monte, CA 91733 . (626) 443-2473 . Fax: (626) 443-9253

COLE
Lighting