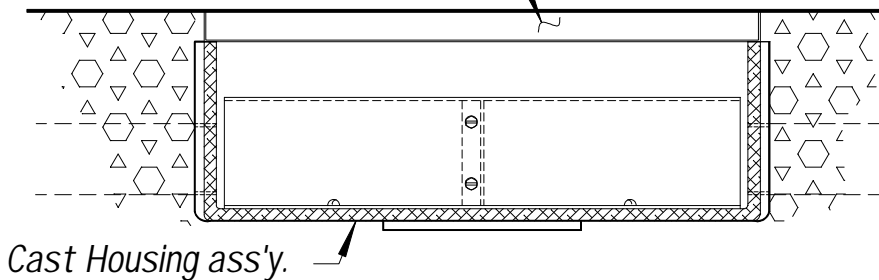


Installation Instruction Sheet

Catalog No.: TLA362 & TLA-364

STEP 1

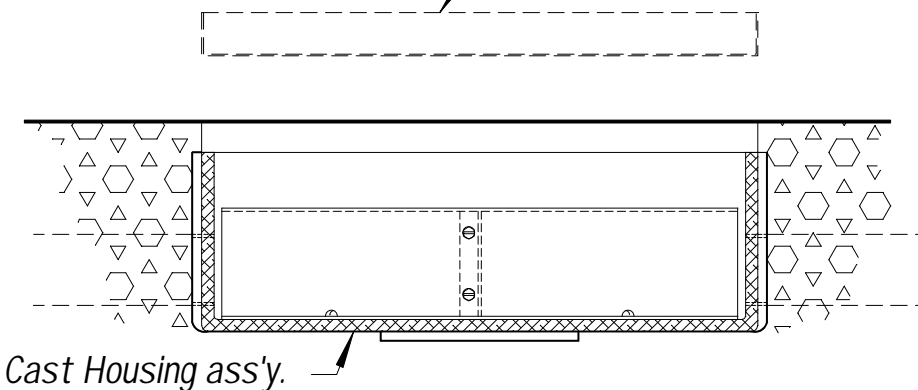
Sheet-metal
throw-away cover



Set housing in position for concrete pour with conduit connected & with **THROW-AWAY COVER ATTACHED**. Throw-away cover must be flush (level) with finished concrete surface. Sides of cover should be suitably treated to facilitate removal after concrete is set.

STEP 2

Throw-away cover



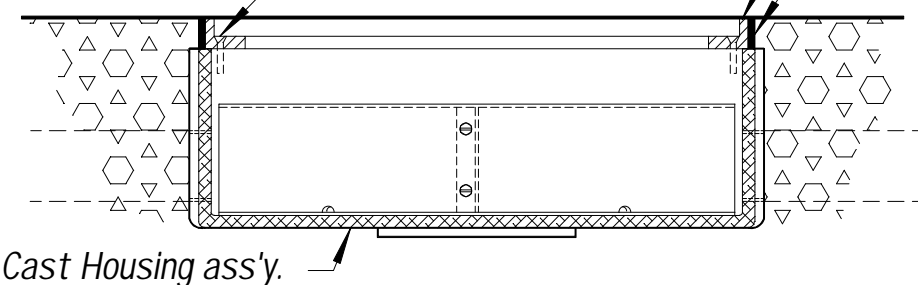
When concrete is fully set, remove and discard the throw-away cover.

STEP 3

Adjustment screws

Cast insert-frame

Grout



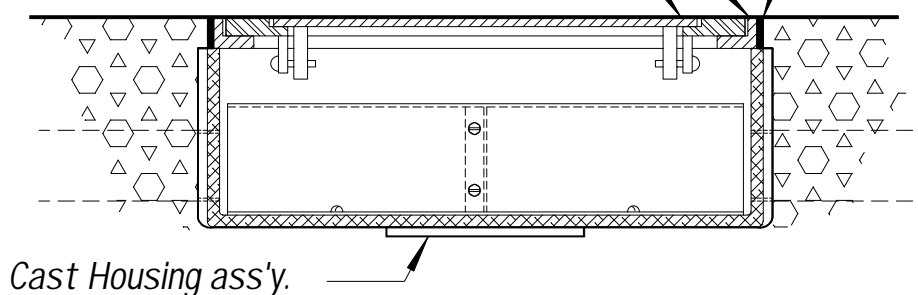
Install cast insert-frame and level to finished concrete surface by means of adjustment screws. Grout all around, securing insert-frame in final position to receive cover.

STEP 4

Cast insert-frame

Finish hinged-door cover

Grout



Full branch-circuit wiring into housing, connect to devices mounted on interior panel, & secure finish hinged-door cover in place with flat head screws provided.

COLE
LIGHTING SINCE 1911