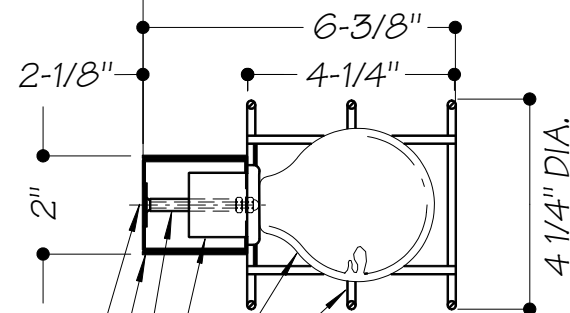


FRONT ELEVATION

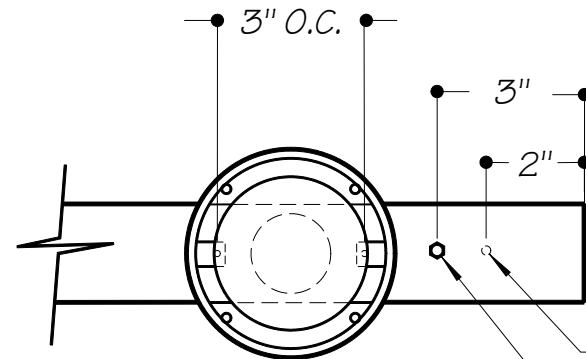
WALL REF. 8-32 HEX CAP-NUT (AS REQ'D.)
3/16" MOUNTING HOLE AT BACK (AS REQ'D.)

1/2" K.O. AT BACK FOR ELECTRICAL



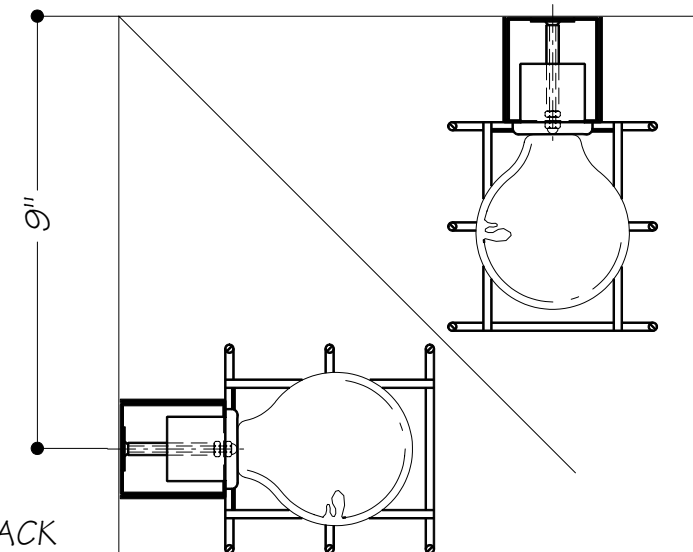
POLISHED CHROME #8 WIRE GUARD
60W MAX, MED. BASE G-25 LAMP (BY E.C.)
MED. BASE PORCELAIN SOCKET
8-32 X 2 1/4" FLATHEAD SCREW, 1/4" O.D. X 1 3/4" L. SPACER WITH 8-32 NICKEL PLATED HEX. CAP-NUT AND 8-32 LOCKNUT
20 GA. INNER & OUTER CHANNEL
3/16" MTG. HOLE

SECTION VIEW (TYPICAL)



END DETAIL (TYPICAL)

3/16" MTG. HOLE AT BACK
8-32 HEX. CAP-NUT



CORNER DETAIL

STEPS

- 1 ASSURE THAT ALL ELECTRICAL POWER IS TURN OFF TO FIXTURE
- 2 REMOVE OUTER CHANNEL FROM INNER CHANNEL
- 3 MOUNT INNER CHANNEL TO WALL SURFACE WITH MOUNTING SCREW BY OTHERS
- 4 MAKE WIRE CONNECTIONS FROM OUTER CHANNEL TO SUPPLY WIRES
- 5 MOUNT OUTER CHANNEL TO INNER CHANNEL USING 8-32 HEX CAP NUTS
- 6 MAKE CERTAIN WIRES STAY WITHIN INNER CHANNEL WHEN INSTALLING OUTER CHANNEL
- 7 INSTALL LAMPS BY OTHERS
- 8 TURN ON POWER TO FIXTURE

VS STRIP INSTALLATION

COLE Lighting SINCE 1911	C.W. COLE & CO., INC. 2560 N. ROSEMEAD BLVD., SOUTH EL MONTE, CA. 91733-1593 www.colelighting.com •(626) 443-2473 • FAX (626) 443-9253			
	VS MIRROR LIGHT			
	DRAWN BY DTW	DATE 10-24-12	CHECKED BY D.W.	DATE 10-24-12
DRAWING No				K2412-VS-IS