

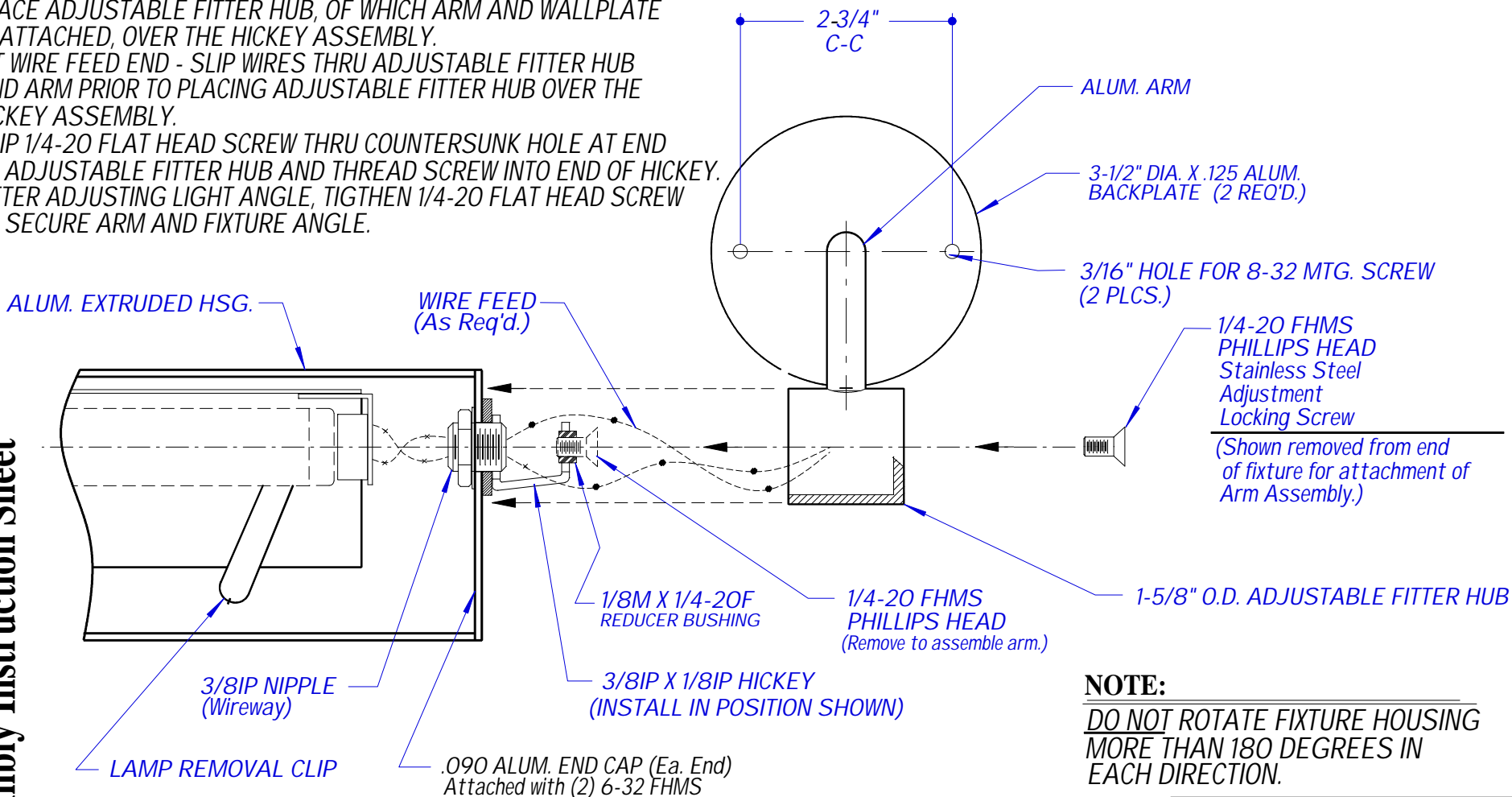
# Arm assembly Instruction Sheet

CATALOG No.: SL SERIES (SIGNLIGHTER FIXTURE)

## ARM ASSEMBLY SEQUENCE

1. REMOVE 1/4-20 FLAT HEAD SCREW FROM EACH END OF FIXTURE.
2. PLACE ADJUSTABLE FITTER HUB, OF WHICH ARM AND WALLPLATE IS ATTACHED, OVER THE HICKEY ASSEMBLY.
- 2a. AT WIRE FEED END - SLIP WIRES THRU ADJUSTABLE FITTER HUB AND ARM PRIOR TO PLACING ADJUSTABLE FITTER HUB OVER THE HICKEY ASSEMBLY.
3. SLIP 1/4-20 FLAT HEAD SCREW THRU COUNTERSUNK HOLE AT END OF ADJUSTABLE FITTER HUB AND THREAD SCREW INTO END OF HICKEY.
4. AFTER ADJUSTING LIGHT ANGLE, TIGHTEN 1/4-20 FLAT HEAD SCREW TO SECURE ARM AND FIXTURE ANGLE.

SL SERIES (SIGNLIGHTER FIXTURE)  
Arm assembly Instruction Sheet



**NOTE:**

DO NOT ROTATE FIXTURE HOUSING MORE THAN 180 DEGREES IN EACH DIRECTION.

**NOTE:**

"THIS PRODUCT MUST BE INSTALLED IN ACCORDANCE WITH THE APPLICABLE INSTALLATION CODE BY A PERSON FAMILIAR WITH THE CONSTRUCTION AND OPERATION OF THE PRODUCT AND THE HAZARDS INVOLVED".

**REVISIONS**

10/03  
11-20-03

**COLE**  
Lighting