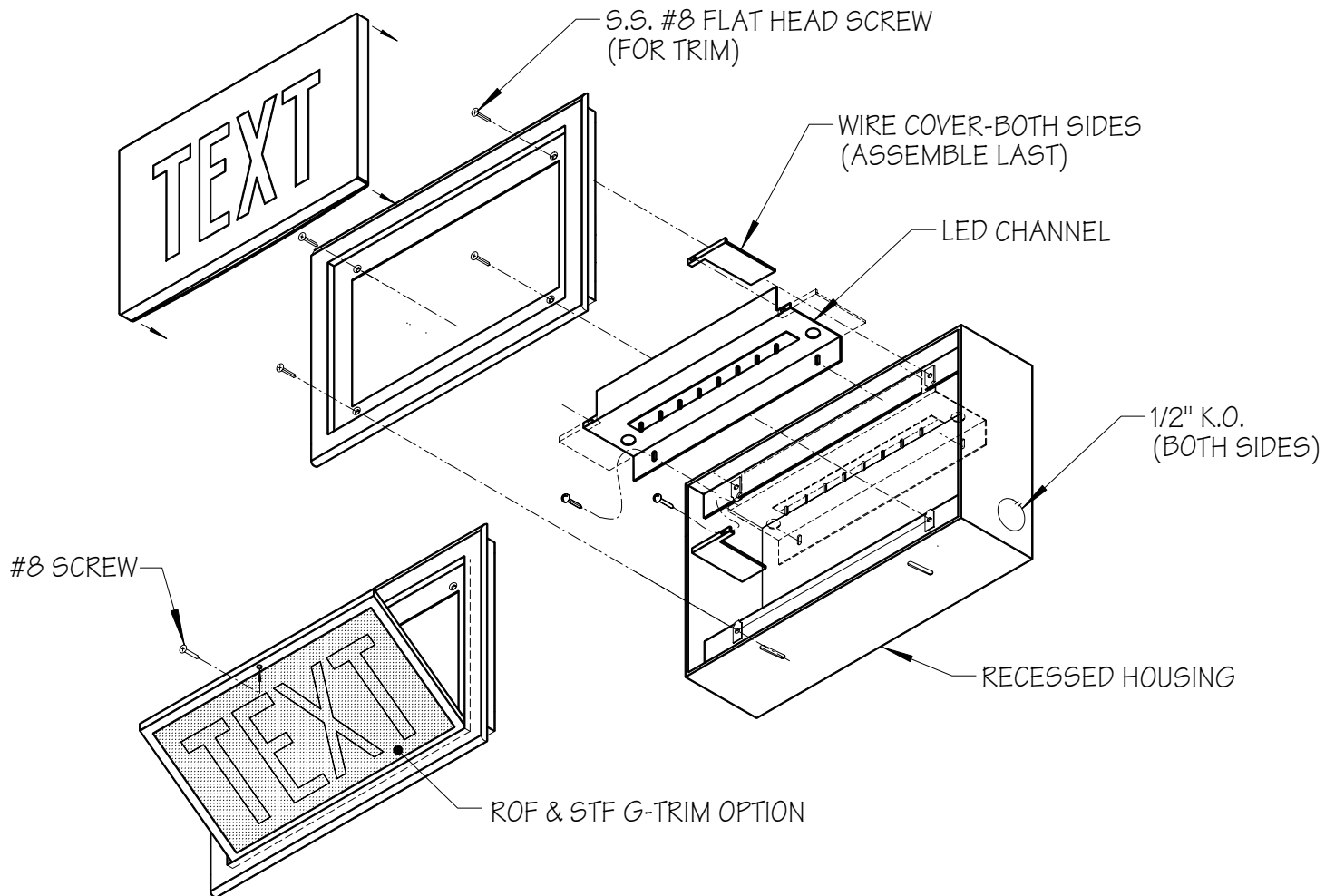


RECESSED EXIT SIGN INSTRUCTIONS

CATALOG NO.: L197, L 207 & S191-L SERIES



RECESSED MOUNTING INSTALLATION: (VIEW LOOKING UP)

- Step 1. Turn off electrical power supplied to fixture.
- Step 2. Use #8 screws to place housing in recess area.
- Step 3. Attach conduit power feed to housing.
- Step 4. Make wire connections.
- Step 5. Attach LED channel to back of housing, & WIRE COVERS AT SIDES.
- Step 6. Re-attach exit trim to housing using factory supplied 8-32 stainless steel pan phillip head machine screw & snap text panel in place.
(for ROF & STF G-trim options, remove #8 screw at top for access)

NOTE:

"THIS PRODUCT MUST BE INSTALLED IN ACCORDANCE WITH THE APPLICABLE INSTALLATION CODE BY A PERSON FAMILIAR WITH THE CONSTRUCTION AND OPERATION OF THE PRODUCT AND THE HAZARDS INVOLVED".

REVISIONS

REVISIONS