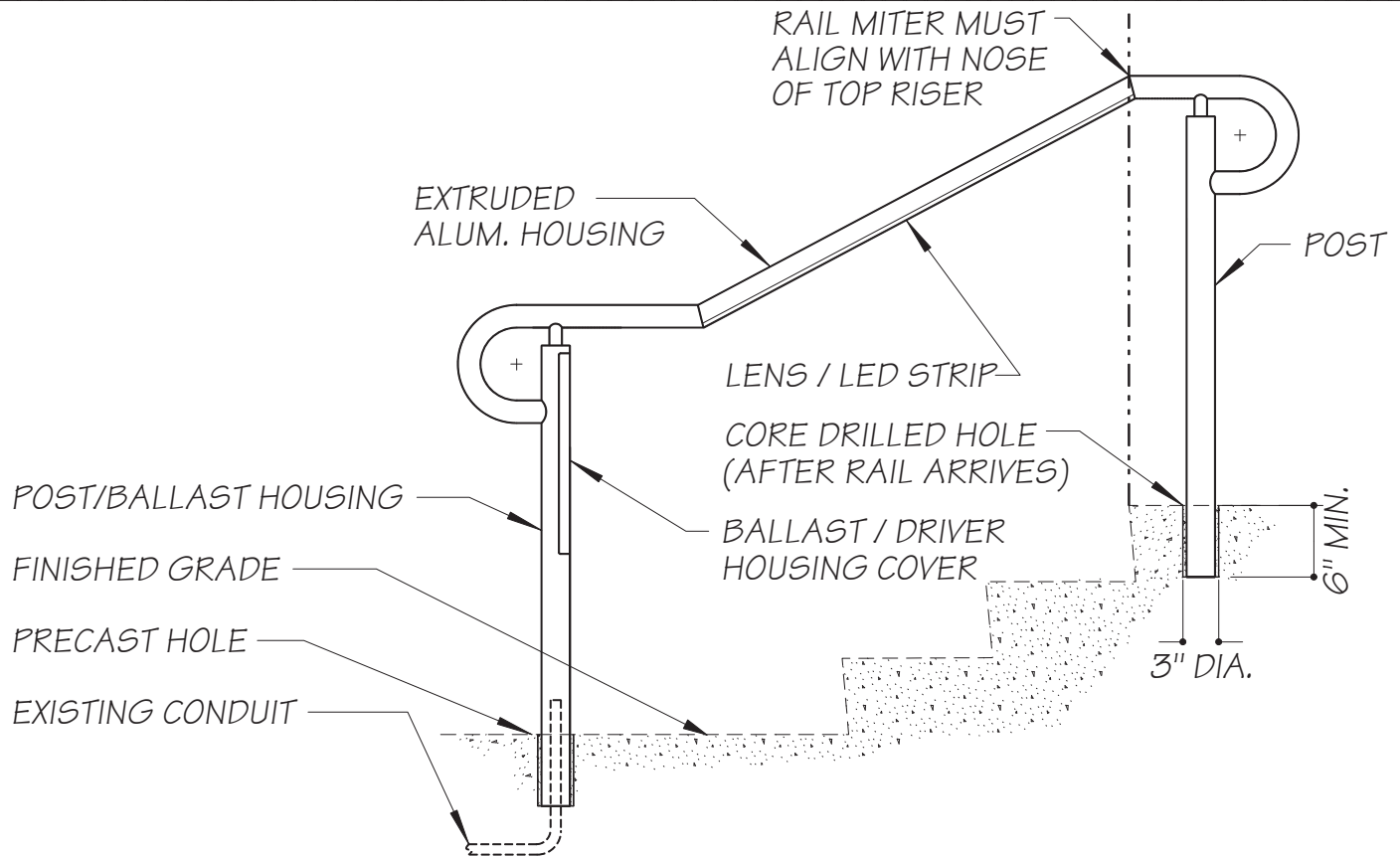


LR5P/LR6P-INSTALLATION INSTRUCTIONS (DIRECT BURIAL)

INFORMATION AND DESIGNS HEREON ARE PROPRIETARY AND CONFIDENTIAL. THEY MAY NOT BE USED OR REPRODUCED WITHOUT THE EXPRESSED PERMISSION OF C.W. COLE & CO., INC.



ELEVATION VIEW

NOTE:

1. PRECAST 3" DIA. HOLE AT FEED LOCATION(S) WITH CONDUIT PROJECTING ABOVE GRADE.
2. POSITION LIGHTRAIL WITH BALLAST / DRIVER POST AT CONDUIT-FEED HOLES AND CORE DRILL 3" DIA. HOLES AS REQUIRED FOR OTHER POSTS.
3. FEED ELECTRICAL SUPPLY WIRES THRU POST, BALLAST / DRIVER, HOUSING BOTTOM INTO BALLAST / DRIVER AREA.
4. INSERT POST INTO HOLES.
5. SECURE LIGHTRAIL PLUMB IN PLACE.
6. POUR QUICK-SETTING CONCRETE INTO CORED HOLES, ALLOW CONCRETE TO SET AS RECOMMENDED ON PACKAGING.
7. AFTER CONCRETE HAS SET, REMOVE BALLAST HOUSING COVER AND CONNECT ELECTRICAL SUPPLY WIRES TO ELECTRONIC BALLAST / DRIVER AS REQUIRED.
8. REPLACE BALLAST / DRIVER HOUSING COVER.
9. REMOVE SNAP-IN LENS, INSTALL T5 FLUORESCENT LAMPS. (FLUORESCENT ONLY)
10. REPLACE LENSES. (FLUORESCENT ONLY)

LR5P/LR6P-INSTALL

COLE
LIGHTING SINCE 1911

C.W. COLE & CO., INC. 2560 N. ROSEMEAD BLVD., SOUTH EL MONTE, CA 91733-1593

(626) 443-2473 • FAX (626) 443-9253

POST MOUNT LR5/LR6 LIGHTRAIL

1. REV. 01-06-09 CHANGE CORE FROM 4" DIA. TO 3" DIA. - JERI WMS

2. REV. 03-1-13 COMBINED FLUOR. & LED - BY E.V.

3. REV. 10-04-17 ADD ALIGNMENT NOTE - BY J WMS

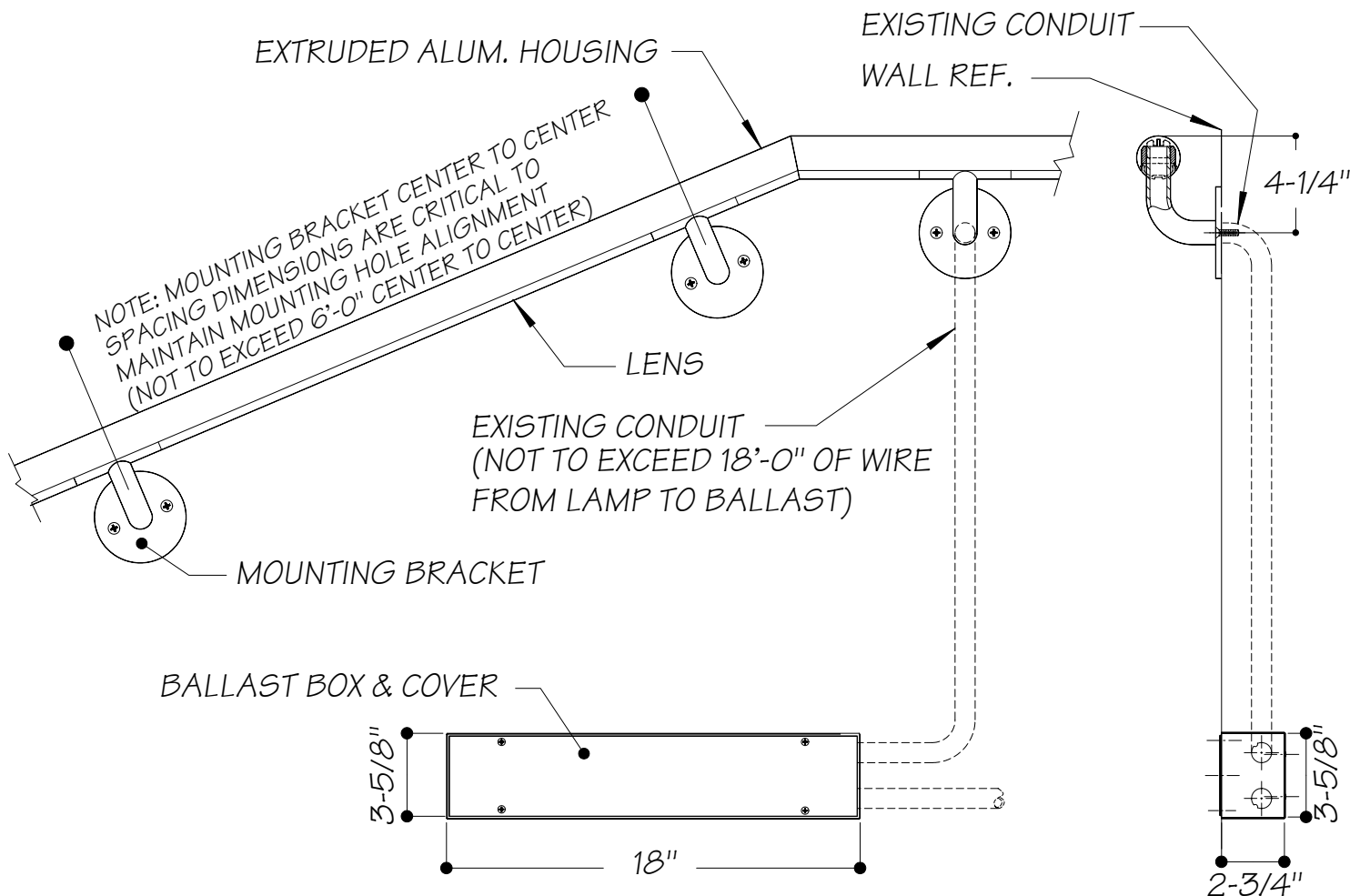
Catalog No. LR5P/LR6P

DRAWN BY DATE CHECKED BY DATE SCALE
05-09-02 05-09-02 N.T.S.

DRAWING No
LR5P/LR6P-INSTALL

LR5W/LR6W-INSTALLATION INSTRUCTIONS (WALL MOUNTED)

INFORMATION AND DESIGNS HEREON ARE PROPRIETARY AND CONFIDENTIAL. THEY MAY NOT BE USED OR REPRODUCED WITHOUT THE EXPRESSED PERMISSION OF C.W. COLE & CO., INC.



1. PRECAST HOLE AT FEED LOCATION(S) WITH CONDUIT FLUSH WITH WALL AS IDENTIFIED ON SUBMITTAL DRAWING.
2. POSITION LIGHTRAIL FEED BRACKET OVER CONDUIT, POSITION LIGHTRAIL AT REQUIRED MOUNTING HEIGHT ABOVE GRADE.
3. MARK WALL THRU. MOUNTING HOLE IN EACH ADDITIONAL MOUNTING BRACKET AND REMOVE FROM WALL AND SET ASIDE.
4. INSTALL MOUNTING HARDWARE ANCHORAGE.
5. FEED SUPPLY WIRES THRU. ARM INTO HOUSING.
6. REPOSITION LIGHTRAIL OVER FEED & ANCHORAGE AND SECURE IN PLACE WITH (2) 1/4-20 FLAT HD. M/SCREWS PER MOUNTING BRACKET (MOUNTING HARDWARE BY E.C.)
7. MAKE WIRE CONNECTIONS AS REQUIRED.
8. REMOVE SNAP-IN LENS, INSTALL T5 FLUORESCENT LAMPS.
9. REPLACE LENSES.

LR5/6-INSTALL

COLE
LIGHTING SINCE 1911

C.W. COLE & CO., INC. 2560 N. ROSEMEAD BLVD., SOUTH EL MONTE, CA 91733-1593

• (626) 443-2473 • FAX (626) 443-9253

WALL MOUNT LR5/LR6 LIGHTRAIL

Catalog No. LR5-W/LR6-W

DRAWN BY	DATE	CHECKED BY	DATE	SCALE
	05-09-02		05-09-02	N.T.S.

DRAWING No **LR5W/LR6W-INSTALL**