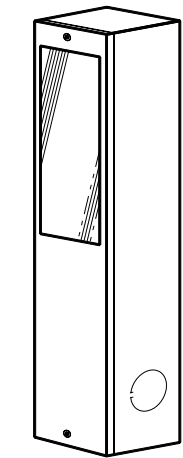
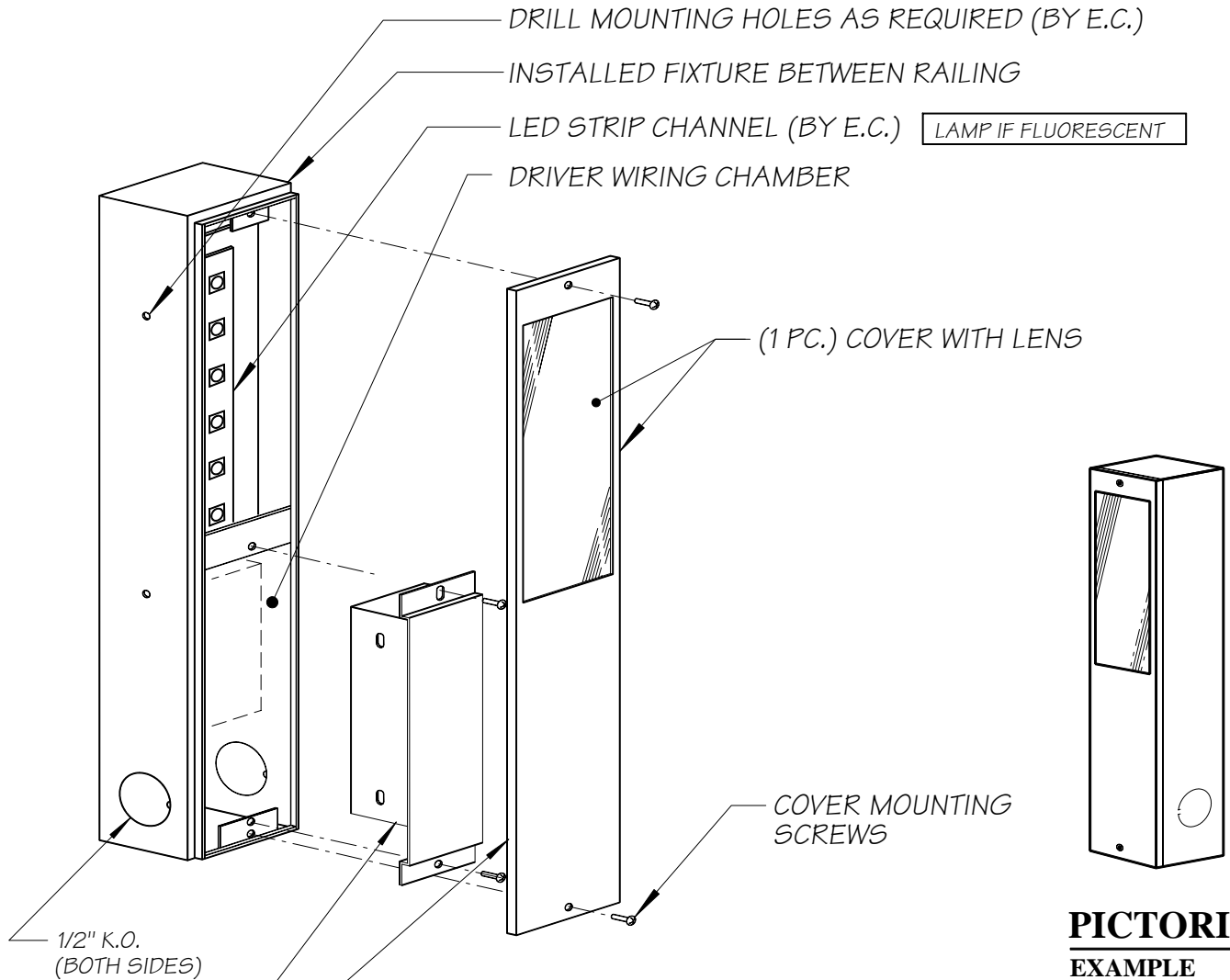


RAILITE INSTALLATION INSTRUCTION

CATALOG No. C1392 (1 PC. COVER WITH LENS)

C1392W-LED, C1392W-LED-2, C1392W-LED-HO, C1392W-LED-2-HO

C1392DW-LED-2, C1392DW-LED-4, C1392DW-LED-2-HO, C1392DW-LED-4-HO



PICTORIAL
EXAMPLE

STEP-1 REMOVE (1 PC.) COVER WITH LENS.

STEP-2 REMOVE WIRE ACCESS DOOR, DRILL MOUNTING HOLES AS NEEDED IN SIDES OF HOUSING

STEP-3 CONNECT CONDUIT TO K.O. ON ONE OR BOTH SIDES TO INSTALL & WIRE. (BY E.C.)

STEP-4 REPLACE WIRE ACCESS DOOR INSTALL LAMP IF FLUORESCENT AND THEN OUTER 1 PC. COVER WITH LENS.

"WARNING: DO NOT OVER TIGHTEN SCREWS".

NOTE:

"THIS PRODUCT MUST BE INSTALLED IN ACCORDANCE WITH THE APPLICABLE INSTALLATION CODE BY A PERSON FAMILIAR WITH THE CONSTRUCTION AND OPERATION OF THE PRODUCT AND THE HAZARDS INVOLVED".

REVISIONS

COLE
Lighting