

Series	LED	Fluor.	Incan.	Dimming	Exterior	Interior	Feed-Thru	Other Options
141	●		●	●	●	●		Faceplate color Tamperproof screws

Steplites

141 SERIES

Description

This compact Steplite features a full cutoff, completely eliminating any glare and brightness. Its superior shielding is perfectly suited for use in theaters, lecture halls, and auditoriums. Dimmable LEDs or low-wattage incandescent sources each fulfill the lighting requirement.

Construction

- Housing is 16 gauge, electro-galvanized steel suitable for use in concrete pour installation
- Cast aluminum hooded faceplate is finished in black polyester retained by stainless steel screws
- Frosted tempered glass is furnished with LED models
- cETLus listed for use in wet locations, when specified, in any wall construction.

Electrical

- Fixture is wired with high-performance LEDs or low-wattage incandescent
- Integral driver is 120V only and features ELV dimming capability
- Fixture allows 4 wire thru-wiring, 2 in and 2 out. One 1/2" conduit knockout provided on each side of housing.

Mounting

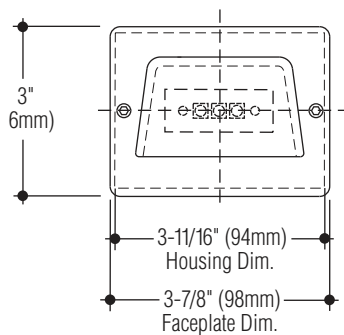
Housing has flange with holes for mounting.

Custom

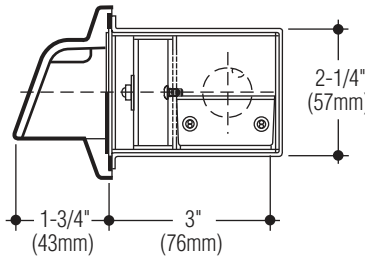
If your project demands a special fixture we would be pleased to discuss the production of modified standard fixtures or custom fixtures to suit your specific conditions. For more information on our custom capabilities, please contact your local Cole representative.



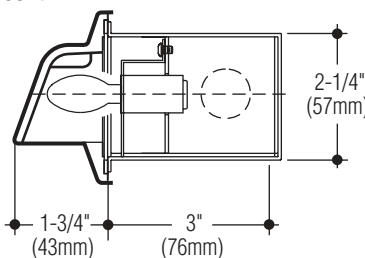
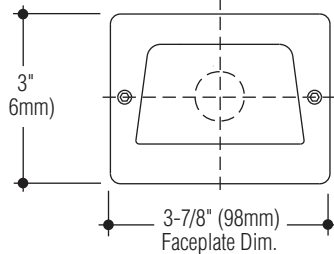
L141-TP



LED



Incandescent



Catalog Number Lamp

LED 4.2W, (235 lm @ 3000°K)

One 7W, (candelabra base) incandescent

Photometric data available for Steplites can be downloaded at: www.colelighting.com/downloads/1

L141

T141

Options

Weatherproof: For exterior applications, LED only. Add suffix **-W**.

Alternate faceplate color: Metallic aluminum or white. Add suffix **-ALU** or **-WHT**.

Tamperproof screws: Socket head faceplate screws. Add suffix **-TP**.

LED color: 4000°K (265 lm). Add suffix **-4K**.

How to Specify

1. Select catalog number.
2. Add suffixes for options required to meet job conditions.



C.W. Cole & Company, Inc.
2560 N. Rosemead Boulevard
South El Monte, CA 91733-1593

Tel. (626) 443-2473
Fax (626) 443-9253
info@colelighting.com
www.colelighting.com