

Series	LED	Fluor.	Incan.	Dimming	Exterior	Interior	Feed-Thru	Other Options
121	●			●	●	●		Bronze faceplate Choice of diffuser Fastening choices

Steplites

L121 SERIES

Description

This ultra compact Steplite features high performance LEDs. It is appropriate in a variety of interior or exterior applications. The rugged construction, engineering excellence, and quality make this fixture ideal for specification in most public areas.

Features

Stainless steel housing construction ensures maximum exterior durability. Satin finish and frosted tempered glass diffuser provides a sleek modern appearance. Integral driver simplifies specification and installation.

Applications

The 121 Series Steplites are suitable for concrete pour/block wall and stud wall mounting in indoor or outdoor installations. They are ideal in low walls and stairways for general illumination, and for use as marker lights.

Custom

If your project demands a special fixture we would be pleased to discuss the production of modified standard fixtures or custom fixtures to suit your specific conditions. For more information on our custom capabilities, please contact your local Cole representative.



L121SW-N-OPL - Opal diffuser



L121SW-AL-2H-LVR-WHT - Louver in white



L121RW-AL-NH-BLK - No visible fasteners



L121RW-B-OPL - Bronze faceplate



L121SW-AL
Standard fixture with
metallic silver powder-coated
aluminum faceplate



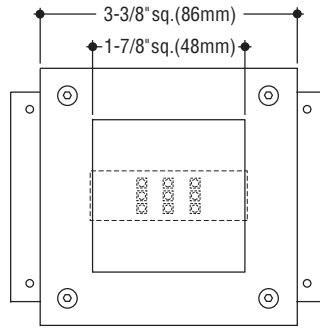
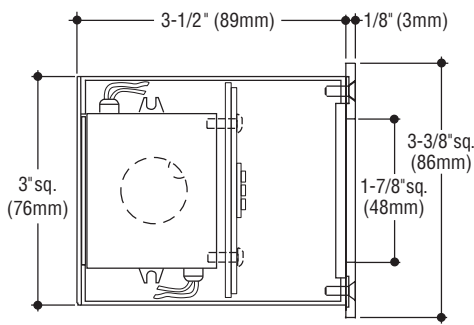
High performance
LEDs are standard
with this fixture



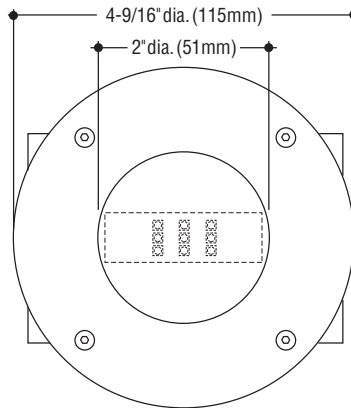
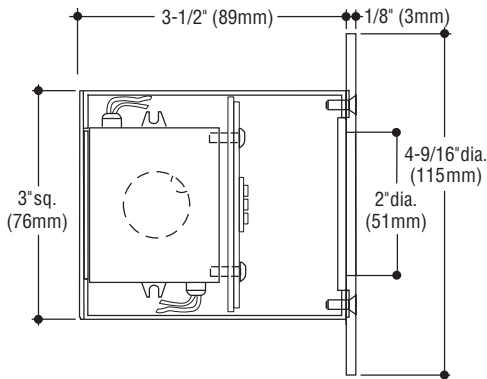
C.W. Cole & Company, Inc.
2560 N. Rosemead Boulevard
South El Monte, CA 91733-1593

Tel. (626) 443-2473
Fax (626) 443-9253
info@colelighting.com
www.colelighting.com

LED square



LED round



Steplites

L121 SERIES

SPECIFICATIONS

Construction

- Housing is 16 gauge stainless steel
- Faceplates are 1/8" metallic silver powder-coated aluminum or satin finished stainless steel, passivated for maximum rust resistance
- Fixtures are furnished with stainless steel socket head tamperproof screws
- Diffuser is frosted or optional, opal tempered glass set in silicone sealant
- cETLus listed for wet locations in any wall construction.

Electrical

- Fixture is wired with high performance LEDs
- Integral driver is 120V only and features ELV dimming capability
- Housing provided with 1/2" conduit knockout on each side.

Mounting

Housing has flanges with holes for mounting.

Catalog Number Lamp	Square Faceplate		Round Faceplate	
	Aluminum	Stainless Steel	Aluminum	Stainless Steel
LED 3.06W, (450 lm @ 3000°K)	L121SW-AL	L121SW-N	L121RW-AL	L121RW-N

Photometric data available for Steplites can be downloaded at: www.colelighting.com/downloads/1

Options

LED color: 4000°K (470 lm). Add suffix **-4K**.

Opal glass diffuser: Tempered. Add suffix **-OPL**.

Bronze faceplate: Satin finish, clear coated. Add suffix **-B**.

Alternate faceplate color: Black, white or custom color. Add suffix **-BLK**, **-WHT**, or **-CC**.

Louvered faceplate: 3/16" thick, narrow louvered faceplate. Add suffix **-LVR**.

Two hole: Faceplate with two fasteners.

Add suffix **-2H**.

No hole: No visible fasteners (damp or dry locations only). Substitute **-NH** for W.

How to Specify

1. Select catalog number.
2. Add suffixes for options required to meet job conditions.



C.W. Cole & Company, Inc.
2560 N. Rosemead Boulevard
South El Monte, CA 91733-1593

Tel. (626) 443-2473
Fax (626) 443-9253
info@colelighting.com
www.colelighting.com