

Series	LED	Fluor.	Incan.	Dimming	Exterior	Interior	Feed-Thru	Other Options
2158	●	●		●	●	●	●	Faceplate colors LED colors Junction box

Steplites

2158 SERIES

Description

The 2158 Series of Steplites offers an ultra low-profile site fixture. Its width allows excellent light distribution to the sides in a variety of interior or exterior locations. The rugged construction, engineering excellence, and quality makes this fixture ideal for specification in most public areas.

Features

Louvers in the 2158 Series are more widely spaced than in most fixtures of this type, allowing for significantly greater forward projected illumination. The thick cast aluminum louvered faceplate also provides exceptional durability. Cole Steplites feature an optional cast aluminum junction box which may be easily field mounted to either the back or bottom of the housing to best suit installation conditions.

Applications

The 2158 Series of Steplites are suitable for concrete pour/block wall and stud wall mounting in indoor or outdoor installations. They are ideal in low walls and step risers where wide spacing is desirable.

Custom

If your project demands a special fixture we would be pleased to discuss the production of modified standard fixtures or custom fixtures to suit your specific conditions. For more information on our custom capabilities, please contact your local Cole representative.



L2158W-J



L2158GW - J



L2158W-N-J — Stainless Steel



L2158GW-B-J — Bronze

2158 Series steplites are available with cast aluminum, stainless steel or cast bronze faceplates.



The junction box on Cole Steplites may be field mounted to the back or bottom of the fixture.



C.W. Cole & Company, Inc.
2560 N. Rosemead Boulevard
South El Monte, CA 91733-1593

Tel. (626) 443-2473
Fax (626) 443-9253
info@colelighting.com
www.colelighting.com

Steplites

2158 SERIES

SPECIFICATIONS

Construction

- Fixture housing is constructed from die-formed 16 gauge electro-galvanized steel finished with a white polyester coating
- Faceplate is cast aluminum with metallic aluminum polyester coating or 3/16" stainless steel with brushed finish
- Faceplate is retained by stainless steel screws
- Diffuser is frosted tempered glass set in silicone sealant
- Reflector is constructed of white die-formed aluminum
- Optional junction box is cast aluminum with polyester coating
- cETLus listed, suitable for wet locations in any wall construction.

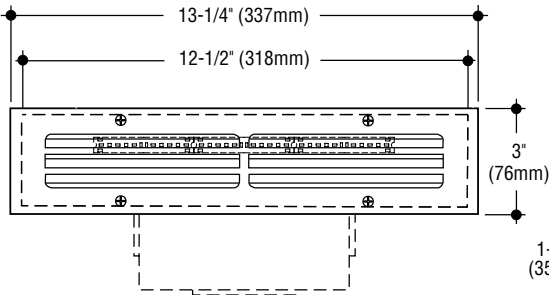
Electrical

- Fixture is wired with high performance LEDs or compact fluorescent lamps. Drivers and electronic ballast are universal voltage
- Housing provided with 1/2" conduit knockout on each side, suitable for 4 wire thru-wiring, 2 in 2 out
- Optional junction box allows 8 wire thru-wiring, 4 in 4 out. Provided with two 1/2" tapped conduit entrances in the bottom and one 1/2" tapped conduit entrance in each side.

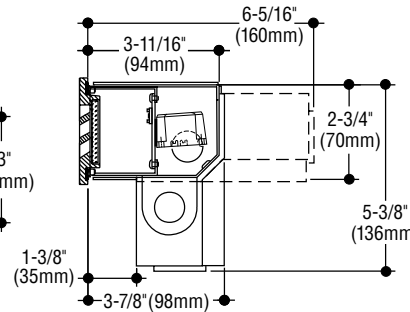
Mounting

Housing has flange with holes for mounting.

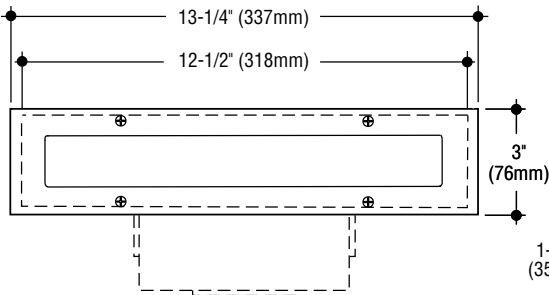
Louvered faceplate



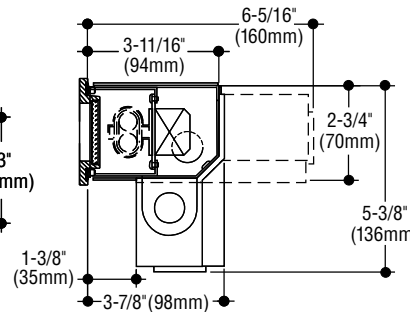
LED



Non-louvered faceplate



Fluorescent



Catalog Numbers

Lamps	Faceplate			
	Alum. Louver	Alum. Non-Louver	S.S. Louver	S.S. Non-Louver
LED 4.5W, (377 lm @ 3000°K)	L2158W	L2158GW	L2158W-N	L2158GW-N
LED 10.8W, (645 lm @ 3000°K)	L2158W-HO	L2158GW-HO	L2158W-N-HO	L2158GW-N-HO
One 9W, (CFT9W/2G7) compact fluorescent	F2158W-9	F2158GW-9	F2158W-N-9	F2158GW-N-9
One 13W, (CFT13W/2GX7) compact fluorescent	F2158W-13	F2158GW-13	F2158W-N-13	F2158GW-N-13
One 18W, (FT18W/2G11) compact fluorescent	F2158W-18	F2158GW-18	F2158W-N-18	F2158GW-N-18

Photometric data available for Steplites can be downloaded at: www.colelighting.com/downloads/1

Options

Junction box: Bottom or back mounted as required for feed-thru. Add suffix **-J**.

Tamperproof screws: Socket head faceplate screws. Add suffix **-TP**.

Dimming: Universal voltage 0-10V driver. Add suffix **-DIM**.

LED colors: 4000°K (438 lm), -HO (747 lm). Add suffix **-4K**.

Amber. Add suffix **-AMB**.

Blue. Add suffix **-BLU**.

Voltage: 277 ballast. Add suffix **-277**.

Alternate faceplate color: Black or white. Add suffix **-BLK** or **-WHT**.

Bronze faceplate: Satin finished, clear coated faceplate. Add suffix **-B**

Opal glass diffuser: Tempered. Add suffix **-OPL**.

How to Specify

1. Select catalog number with desired features.
2. Add suffixes for options required to meet job conditions.



C.W. Cole & Company, Inc.
 2560 N. Rosemead Boulevard
 South El Monte, CA 91733-1593

Tel. (626) 443-2473
Fax (626) 443-9253
info@colelighting.com
www.colelighting.com