

Steplites

Series	Incan.	Fluor.	HID	LED	Exterior	Interior	Feed-Thru	Other Options
3500			●		●		●	Faceplate color Tamperproof screws

3500 SERIES

Description

The 3500 Series of Steplites is an ultra high-performance site fixture for large areas. Its large aperture allows high light levels to the sides as well as in front of the fixture for many exterior locations. The rugged construction, engineering excellence, and quality make these fixtures ideal for specification in most public areas.

Features

Louvers in the 3500 Series are more widely spaced than in most fixtures of this type, allowing for significantly greater forward projected illumination. Exceptional durability is provided by the thick cast aluminum louvered faceplate and the tempered glass diffuser. Louvered models offer even greater protection to the diffuser while controlling the distribution of light. Cole Steplites feature a cast aluminum junction box which may be easily field mounted to either the back or bottom of the housing to best suit installation conditions.

Applications

The 3500 Series Steplites are suitable for concrete pour/block wall mounting in outdoor installations. They are ideal in walls, ramps, and stairwells where high light levels are desirable.

Custom

If your project demands a special fixture, we would be pleased to discuss the production of modified standard fixtures or custom fixtures to suit your specific conditions. For more information on our custom capabilities, please contact your local Cole representative.



HPS3570W-70



HPS3570GW-70

3500 Series steplites are available with cast aluminum louver or glass faceplates.



The junction box on Cole Steplites may be field mounted to the back or bottom of the fixture.



High pressure sodium or metal halide lamps may be specified for this series.



C.W. Cole & Company, Inc.
2560 N. Rosemead Boulevard
South El Monte, CA 91733-1593

Tel. (626) 443-2473
Fax (626) 443-9253
info@colelighting.com
www.colelighting.com

Steplites

3500 SERIES

SPECIFICATIONS

Construction

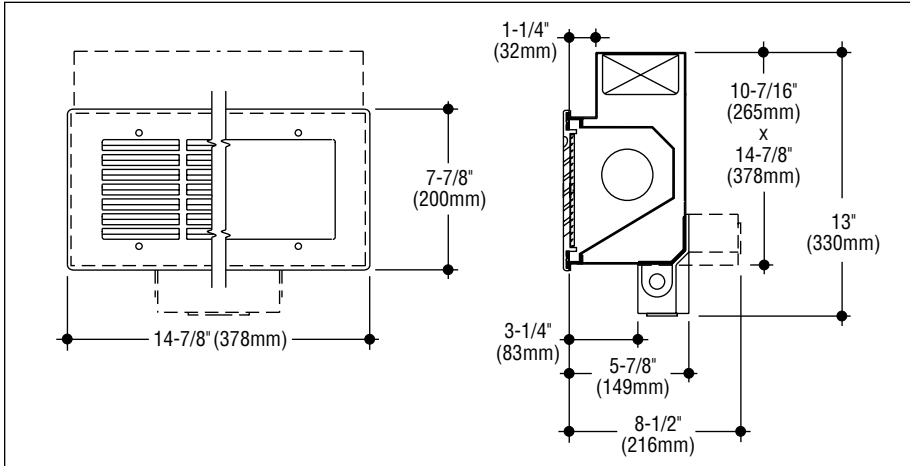
- Fixture housing is constructed from die-formed 16 gauge electro-galvanized steel finished with a white polyester coating
- Faceplate is cast aluminum with metallic aluminum powder coating, gasketed and retained by stainless steel screws
- Diffuser is frosted tempered glass set in silicone sealant
- Reflector is constructed of white die-formed aluminum
- Standard junction box is cast aluminum with polyester coating
- cETLus listed, suitable for wet locations, in concrete pour/block wall construction.

Electrical

- Fixture is wired for one medium base high pressure sodium or metal halide lamp. Metal halide electronic ballasts are universal voltage
- High pressure sodium ballasts are magnetic only
- Junction box allows 8 wire thru-wiring, four in and four out. Provided with two 1/2" tapped conduit entrances in the bottom and one 1/2" conduit entrance in each side.

Mounting

Housing has flanges with holes for mounting to concrete forms or masonry materials.



Catalog Numbers

Lamps

70W high pressure sodium, medium base
70W metal halide, medium base

Faceplate

Louver

HPS3570W
HMH3570W

Non-Louvered

HPS3570GW
HMH 570GW

Options

Bronze faceplate: Satin finished, clear coated. Add suffix **-B**.

Tamperproof screws: Socket head faceplate screws. Add suffix **-TP**.

Alternate Faceplate Color: Black or white. Add suffix **-BLK** or **-WHT**.

How to Specify

1. Select catalog number with desired features.
2. Add suffixes for options required to meet job conditions.



C.W. Cole & Company, Inc.
2560 N. Rosemead Boulevard
South El Monte, CA 91733-1593

Tel. (626) 443-2473
Fax (626) 443-9253
info@colelighting.com
www.colelighting.com