

Series	LED	Fluor.	HID.	Dimming	Exterior	Interior	EM Battery	Other Options
2600	•	•		•	•	•	•	Surface collar LED colors Choice of diffusers and finishes

Steplites

FannyPack XL

2600 SERIES

Description

The 2600 Series Steplite is a high performance, low-level surface wall mounted fixture for illuminating walkways and walls. The design offers the capability for uplighting, downlighting, or both.

Features

The ADA-compliant dimensions and smooth design make the *FannyPack XL* a unique choice for walkway illumination, with the added capability for uplighting. The rugged cast aluminum construction ensures long service in most public areas.

Applications

The *FannyPack XL* is suitable for walkway lighting along corridors, at the sides of stairs, or at columns, where the uplighting can highlight the architecture.

Custom

If your project demands a special fixture we would be pleased to discuss the production of custom fixtures to suit your specific conditions. For more information on our custom capabilities, please contact your local Cole representative.



LED and fluorescent may be specified for this series.



L2600W-1-SC-FG with surface collar



COLE
Lighting

C.W. Cole & Company, Inc.
2560 N. Rosemead Boulevard
South El Monte, CA 91733-1593

Tel. (626) 443-2473
Fax (626) 443-9253
info@colelighting.com
www.colelighting.com

Steplites

FannyPack XL 2600 SERIES

SPECIFICATIONS

Construction

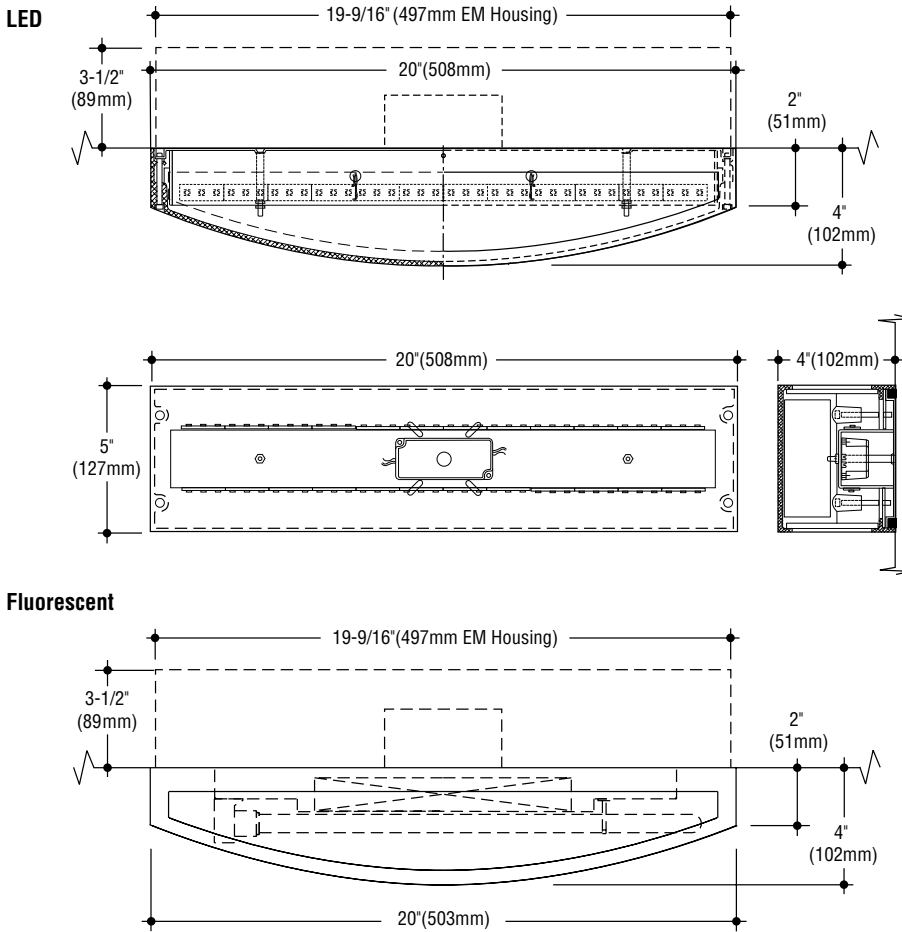
- Housing is cast aluminum, mounted to 16 gauge stainless steel back mounting plate or recessed housing
- Finish is textured black polyester. Other finishes are available
- Trim is fastened in place by stainless steel mounting screws
- Fixture is furnished with diffuser in either top, bottom, or both
- Diffuser is set in silicone
- ADA compliant
- cETLus listed for wet locations on any wall construction.

Electrical

- Fixture is wired for LED or twin-tube compact fluorescent
- Integral drivers and ballast are universal voltage.

Mounting

- Slots on mounting plate allow mounting directly to junction box for LED and fluorescent models
- Recessed housing for LED and fluorescent models with emergency battery, have holes for mounting
- Fixture may be mounted with diffuser(s) in any position.



Catalog Number

Lamp	One diffuser	Two diffusers
LED 9.0W, (755 lm @ 3000°K per diffuser)	L2600W-1-(diffuser)	L2600W-2-(top diffuser/bottom diffuser)
LED 21.6W, (1290lm @ 3000°K per diffuser)	L2600W-1-HO-(diffuser)	L2600W-2-HO (top diffuser/bottom diffuser)
One 36W, (FT36W/2G11 base) compact fluorescent	F2636W-1-(diffuser)	F2636W-2-(top diffuser/bottom diffuser)

Photometric data available for Steplites can be downloaded at: www.colelighting.com/downloads/1

Options

Alternate finishes: Metallic aluminum or textured white. Add suffix **-ALU** or **-WHT**.

Diffusers: Select one or two diffuser choices. If same diffuser selected for two-diffuser models, state selection twice. (Example: L2518-2-ST/ST) Add suffixes as required.

Frosted tempered glass	-FG
Ribbed glass spread lens	-ST
Prismatic tempered glass	-C73
Perforated panel/glass	-PF
Opal glass diffuser	-OPL

Surface collar: Allows surface ballast and emergency ballast/driver location and/or surface conduit capability. Adds 2" (no longer complies with ADA) to overall fixture depth. Add suffix **-SC**.

Emergency battery: LED and fluorescent models only. Provides 90 minutes operation. Requires recessed housing or surface collar.

Add suffix **-EM**

LED colors: 4000°K (1133 lm),-HO (1935 lm).

Add suffix **-4K**.

Amber. Add suffix **-AMB**.

Blue. Add suffix **-BLU**.

Dimming: Universal voltage 0-10V driver.

Add suffix **-DIM**.

How to Specify

1. Select catalog number.
2. Add suffixes for options required to meet job conditions.

C.W. Cole & Company, Inc.
2560 N. Rosemead Boulevard
South El Monte, CA 91733-1593

Tel. (626) 443-2473

Fax (626) 443-9253

info@colelighting.com

www.colelighting.com