

Series	LED	Fluor.	HID.	Dimming	Exterior	Interior	EM Battery	Other Options
2500	•	•	•	•	•	•	•	Surface collar Exterior egress Choice of diffusers and finishes
2500-EGR	•		•	•	•			

Steplites

FannyPack

2500 SERIES 2500-EGR SERIES

Description

The 2500 Series Steplite is a low-level surface wall mounted fixture for illuminating walkways and walls. The design offers the capability for uplighting, downlighting, or both.

The 2500-EGR Series Steplite is an exterior wall fixture for illuminating pathways from LED or metal halide and secondary emergency power sources for MR11 lamps.

Features

The ADA-compliant dimensions and smooth design make the FannyPack a unique choice for walkway illumination, with the added capability for uplighting. The dual-circuited, dual light source feature allows the FannyPack 2500-EGR to meet the requirements for Emergency Egress luminaires. The rugged cast aluminum construction ensures long service in most public areas.

Applications

The FannyPack is suitable for walkway lighting along corridors, at the sides of stairs, or at columns, where the uplighting can highlight the architecture.

The FannyPack 2500-EGR is suitable for exterior applications above doorways, garage entries, elevators and any other location where emergency egress illumination is desirable.

Custom

If your project demands a special fixture we would be pleased to discuss the production of custom fixtures to suit your specific conditions. For more information on our custom capabilities, please contact your local Cole representative.

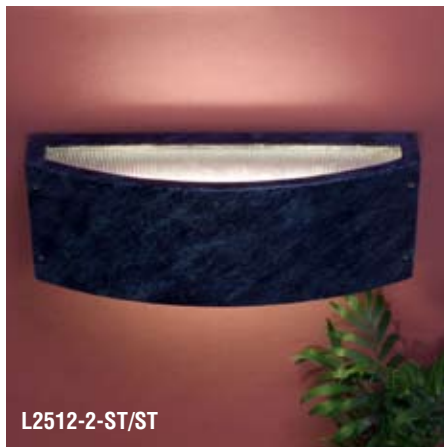


L2500W-1-ST

Especially For
LOW MOUNTING



HMH2570-1-EGR
Bottom View



L2512-2-ST/ST



LED, fluorescent and
HID lamps may be
specified for this series.



L2500W-1-SC/FG with surface collar

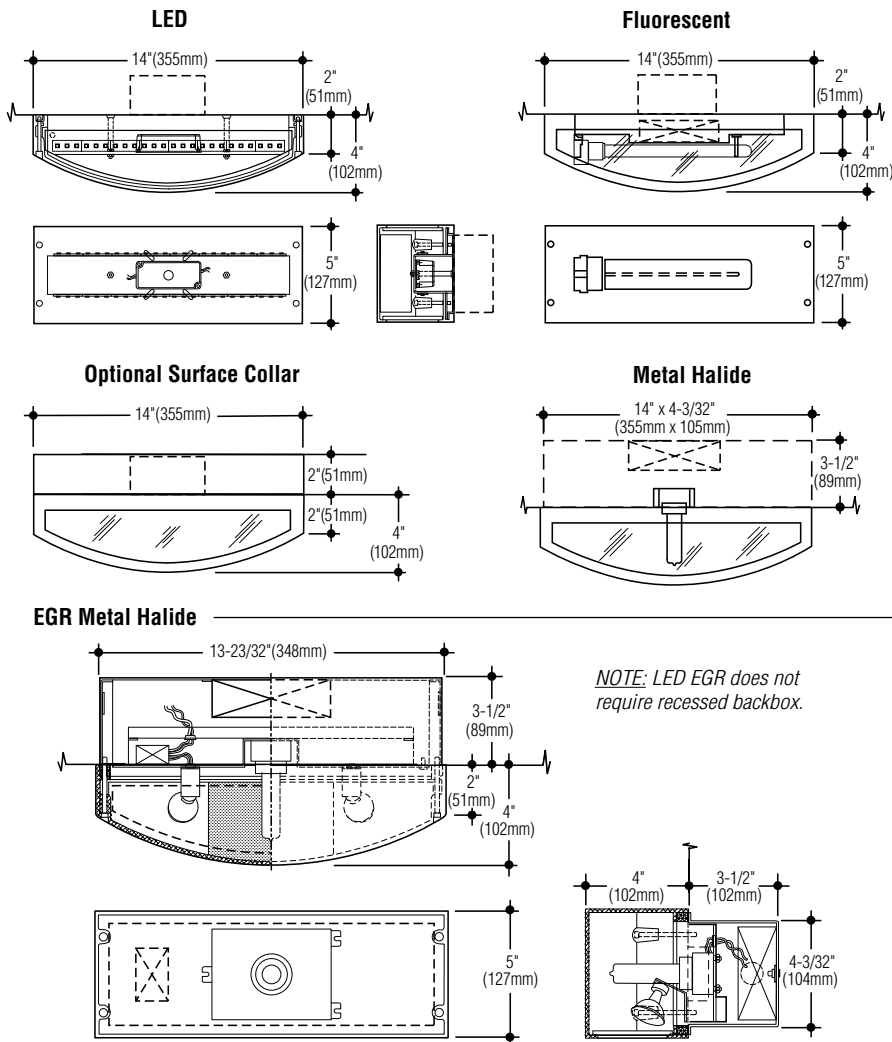


Exterior Egress with recessed HID ballast box

COLE
Lighting

C.W. Cole & Company, Inc.
2560 N. Rosemead Boulevard
South El Monte, CA 91733-1593

Tel. (626) 443-2473
Fax (626) 443-9253
info@colelighting.com
www.colelighting.com



Steplites

FannyPack

2500 SERIES 2500-EGR SERIES

SPECIFICATIONS

Construction

- Housing is cast aluminum, mounted to a 16 gauge stainless steel back mounting plate or back housing
- Finish is textured black polyester. Other finishes are available
- Trim is fastened in place by stainless steel mounting screws
- Fixture is furnished with diffuser in either top, bottom, or both
- Diffuser is set in silicone
- ADA compliant
- cETLus listed
- LED and fluorescent models suitable for wet locations on any wall construction
- HID models suitable for wet locations in concrete pour/block wall construction.

Electrical

- Wired for high performance LED, compact fluorescent, or metal halide lamps
- Integral drivers and ballast are universal voltage; secondary MR11 lamps require 120V power supply
- Two 20W MR11 lamps are required with EGR option (HID and LED models only).

Mounting

- Slots on mounting plate allow mounting directly to junction box for LED and fluorescent models
- Recessed housing for LED and fluorescent with emergency battery, and HID models, have holes for mounting
- Fixture may be mounted with diffuser(s) in any position.

Catalog Number Lamp

- LED 6.0W, (503 lm @ 3000°K per diffuser)
- LED 14.4W, (860 lm @ 3000°K per diffuser)
- One 18W, (FT18W/2G11 base) compact fluorescent
- One 26W, (CFQ26W/G24q-3 base) compact fluorescent
- One 35W, (CDM35T6/G12 base) metal halide
- One 70W, (CDM70T6/G12 base) metal halide
- LED 12.6W, (705 lm @ 3000°K) and two 20MR11
- One 35W, (CDM35T6/G12 base) metal halide and two 20MR11
- One 70W, (CDM70T6/G12 base) metal halide and two 20MR11

Photometric data available for Steplites can be downloaded at: www.colelighting.com/downloads/1

One diffuser

- L2500W-1-(diffuser)
- L2500W-1-HO-(diffuser)
- F2518W-1-(diffuser)
- F2526W-1-(diffuser)
- HMH2535W-1-(diffuser)
- HMH2570W-1-(diffuser)
- L2500W-1-EGR
- HMH2535W-1-EGR
- HMH2570W-1-EGR

Two diffusers

- L2500W-2-(top diffuser/bottom diffuser)
- L2500W-2-HO-(top diffuser/bottom diffuser)
- F2518W-2-(top diffuser/bottom diffuser)
- F2526W-2-(top diffuser/ bottom diffuser)
- HMH2535-2-(top diffuser/ bottom diffuser)
- HMH2570-2-(top diffuser/ bottom diffuser)

Options

Alternate finishes: Metallic aluminum or textured white.

Add suffix **-ALU** or **-WHT**.

Diffusers: Select one or two diffuser choices. If same diffuser selected for two-diffuser models, state selection twice. (Example: L2518-2-ST/ST)

Add suffixes as required.

- Frosted tempered glass **-FG**
- Prismatic tempered glass **-C73**
- Opal glass diffuser **-OPL**
- Ribbed glass spread lens **-ST**
- Perforated panel/glass **-PF**

Surface collar: Allows surface ballast and emergency ballast/driver location and/or surface conduit capability. Adds 2" (no longer complies with ADA) to overall fixture depth. Add suffix **-SC**.

Emergency battery: Non-EGR LED and fluorescent models only. Provides 90 minutes operation. Requires recessed housing (std.) or surface collar (add -SC). Add suffix **-EM**

LED colors: 4000°K (584 lm), -HO (995 lm).

Add suffix **-4K**.

Amber. Add suffix **-AMB** (Not available on EGR models).

Blue. Add suffix **-BLU** (Not available on EGR models).

Dimming: Universal voltage 0-10V driver.

Add suffix **-DIM**.

How to Specify

1. Select catalog number.
2. Add suffixes for options required to meet job conditions.

COLE
Lighting

C.W. Cole & Company, Inc.
2560 N. Rosemead Boulevard
South El Monte, CA 91733-1593

Tel. (626) 443-2473

Fax (626) 443-9253

info@colelighting.com

www.colelighting.com