

Steplites

Series	LED	Fluor.	Incan.	Dimming	Exterior	Interior	Feed-Thru	Other Options
150	●		●	●	●	●	● Not available on 150H	Faceplate colors Tamperproof screws Diffuser colors

150 SERIES

Description

The 150 Series of Steplites is a variety of mod-els suitable for various interior uses where the level of light output is not a significant requirement. The fixtures utilize low wattage, long-life LEDs and incandescent lamp options which fulfill the lighting requirement.

Features

The formed steel construction allows for finish options. Some fixtures feature integral feed-thru capability. The 150G models are available with a selection of diffuser colors.

Applications

The 150H and 150E models are most suitable as nitelites and aisle lights where a low light level is required. Applications include auditoriums, lecture halls and theater aisles. The 150G models may be used at higher mounting heights as indicator warning lights for limited-access laboratories, X-ray rooms, etc. The T150G/PA models meet the requirements of Pennsylvania for indicator lights at fire extinguisher locations.

Custom

If your project demands a special fixture we would be pleased to discuss the production of modified standard fixtures or custom fixtures to suit your specific conditions. For more information on our custom capabilities, please contact your local Cole representative.



L150H-N

The 150H provides subtle illumination for nitelite use.



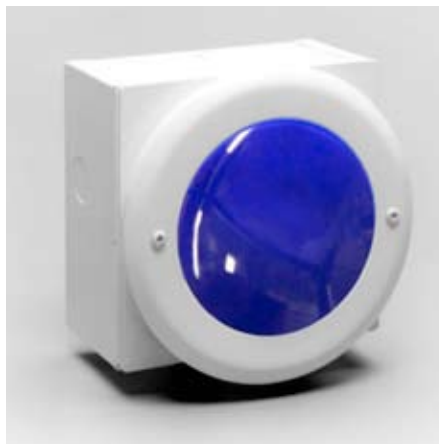
L150E

The 150E is an unobtrusive aisle light.



L150G-RED

The 150G can be used as an indicator or warning light.



The 150G/PA models meet Pennsylvania code for fire extinguisher indicator lights.



SL150H - Surface



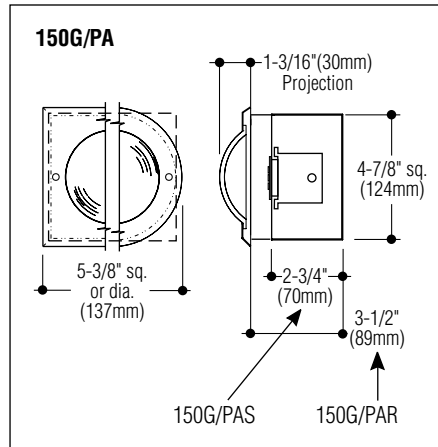
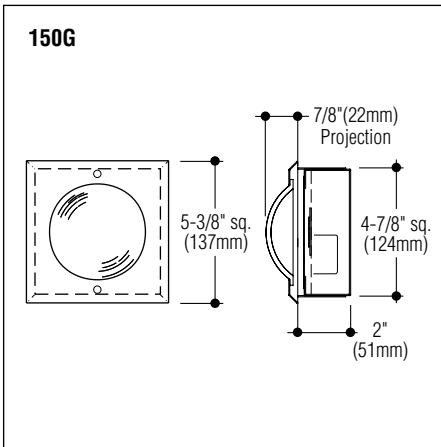
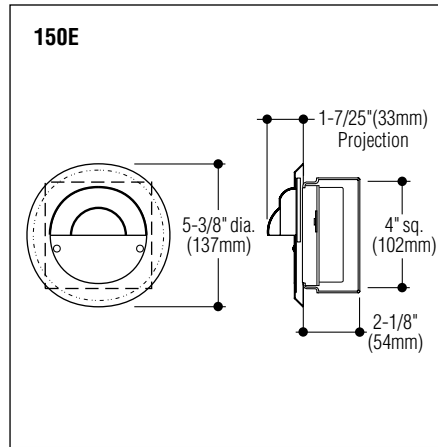
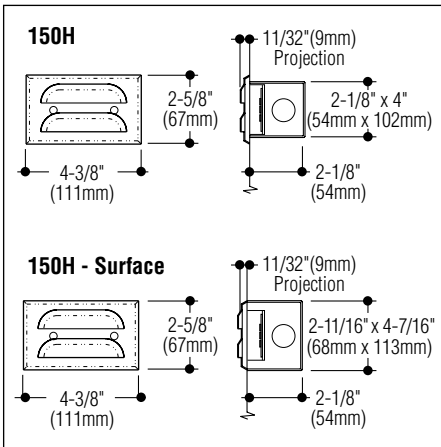
L150H interior

High performance LEDs are standard with this fixture



C.W. Cole & Company, Inc.
2560 Rosemead Boulevard
South El Monte, CA 91733-1593

Tel. (626) 443-2473
Fax (626) 443-9253
info@colelighting.com
www.colelighting.com



Steplites

150 SERIES

SPECIFICATIONS

Construction

- Faceplate is die-formed 20 gauge steel with white polyester coating, retained by stainless steel pan-head screws
- 150H and 150E utilize standard electrical junction boxes as housings
- SL150H, 150G and 150G/PA have 18 gauge electro-galvanized steel housing with white polyester coating
- Faceplate is gasketed for light leak
- 150E and (LED) 150H diffuser is clear/frosted acrylic
- Reflector is constructed of white die-formed aluminum
- cETLus listed, suitable for installation in any wall construction fixture
- Suitable for damp locations.

Electrical

- Fixture is wired for either LED or one 7W C7 candelabra base incandescent lamp (25W A19 medium base for 150G/PA models)
- Integral driver is standard universal voltage, except on L150H model which is 120V only and features ELV dimming capability
- Fixtures featuring thru-wire capability: 150E, 2 wires in, 2 wires out; T150G, 2 wires in, 2 wires out; T150G/PA, 2 wires in, 2 wires out. Housing provided with 1/2" conduit on each side
- T150G/PA models have long-life diode prewired in circuit to meet PA codes.

Mounting

Housing has holes for mounting.

Catalog Numbers

Lamp	Faceplate	
LED 3.06W, (450 lm @ 3000°K)*	Rectangular with louver, clear/frosted diffuser	L150H
LED 3.06W, (450 lm @ 3000°K)*	Rectangular with louver, clear/frosted diffuser	SL150H**
LED 3.06W, (340 lm @ 3000°K)*	Round with "eyelid", clear/frosted diffuser	L150E
LED 3.06W, (340 lm @ 3000°K)*	Square with round red diffuser	L150G
LED 3.06W, (340 lm @ 3000°K)*	Square with round blue diffuser, PA code	L150G/PAS
LED 3.06W, (340 lm @ 3000°K)*	Round with blue diffuser, PA code	L150G/PAR
One 7W, C7 candelabra base incandescent	Rectangular with louver	T150H
One 7W, C7 candelabra base incandescent	Round with "eyelid", clear/frosted diffuser	T150E
One 7W, C7 candelabra base incandescent	Square with round red diffuser	T150G
One 25W, A19 medium base incandescent*	Square with round blue diffuser, PA code	T150G/PAS
One 25W, A19 medium base incandescent*	Round with blue diffuser, PA code	T150G/PAR

Lumens shown are source.

* requires Osram/Sylvania lamp (3 15/16" M.O.L.)

** Surface fixture

Photometric data available for Steplites can be downloaded at: www.colelighting.com/downloads/1

Options

LED color: 4000°K (355 lm), 150H (470 lm).

Add suffix **-4K**.

Stainless steel faceplate: (except 150E)

Add suffix **-N**.

Tamperproof screws: Socket head faceplate screws. Add suffix **-TP**.

Diffuser color: White, red, blue, and green (150G only). Add suffix **-WHT**, **-RED**, **-BLU** or **-GRN**.

Alternate faceplate color: Black or metallic aluminum. Add suffix **-BLK** or **-ALU**.

Antimicrobial white paint: Resist microbial growth. Add suffix **-AM**

How to Specify

1. Select catalog number with desired features.
2. Add suffixes for options required to meet job conditions.



C.W. Cole & Company, Inc.
 2560 Rosemead Boulevard
 South El Monte, CA 91733-1593

Tel. (626) 443-2473

Fax (626) 443-9253

info@colelighting.com

www.colelighting.com