

## Steplites

Series	LED	Fluor.	Incan.	Dimming	Exterior	Interior	Feed-Thru	Other Options
180	●	●	●		●	●	●	Faceplate finishes Shielding

## 180 SERIES

### Description

The 180 Series of Steplites offers a stylish means for low level walkway illumination. The satin or polished metal finishes add a premium quality appearance and the ribbed lens provides a jewel-like sparkle. The rugged construction, engineering excellence, and quality make these fixtures ideal for specification in most public areas.

### Features

The lens design spreads light to the sides while the internal optical design keeps the focus directed downward. Optional guards add physical protection as well as a striking visual feature. The integral power supply keeps installation simple.

### Applications

The 180 Series Steplites are suitable for concrete pour/block wall and stud wall mounting in indoor or outdoor installations. The LED and fluorescent models of the 180 Series are suitable for all types of wall construction. All models are ideal in walls, ramps, and stairwells.

### Custom

If your project demands a special fixture we would be pleased to discuss the production of modified standard fixtures or custom fixtures to suit your specific conditions. For more information on our custom capabilities, please contact your local Cole representative.



L181VW — Vertical lens guard



L181HW — Horizontal lens guard



L183W-B — Satin brass finish



L184W — Convex spread lens

**180 Series Steplites are available with a choice of faceplate finishes, guard orientation, and lenses.**

**The 180 Series Steplites are available wired for LED, low-voltage halogen or compact fluorescent lamps.**



**C.W. Cole & Company, Inc.**  
**2560 Rosemead Boulevard**  
**South El Monte, CA 91733-1593**

Tel. (626) 443-2473  
 Fax (626) 443-9253  
 info@colelighting.com  
[www.colelighting.com](http://www.colelighting.com)

## Steplites

### 180 SERIES

#### SPECIFICATIONS

##### Construction

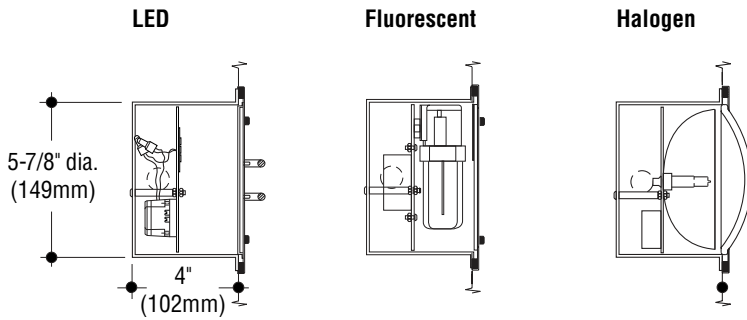
- Housing is spun 16 gauge stainless steel
- Trim is spun 18 gauge satin finished stainless steel, gasketed and retained by four stainless steel tamperproof button head screws
- Stainless steel faceplates are passivated for superior rust resistance
- Fluorescent reflector is white aluminum; Halogen is semi-specular aluminum
- Guard is 1/4" diameter stainless steel
- Spread lens is vertically ribbed tempered glass set in silicone sealant
- LED and Fluorescent models suitable for installation in all wall construction
- Halogen models suitable in concrete pour/block wall construction only.

##### Electrical

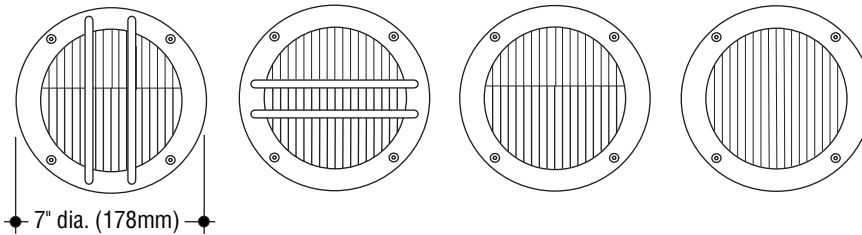
- Fixture is wired with high performance LEDs, one compact fluorescent or halogen lamp
- Integral driver is universal voltage
- Fluorescent ballast is standard 120V (277V optional) electronic
- Integral electronic Halogen transformer is 120V only
- One 1/2" conduit knockout provided on each side of housing. Suitable for 4 wire thru-wiring, 2 in 2 out
- cETLus listed for wet locations.

##### Mounting

Housing has flange with holes for mounting.



#### Lens guard, non-guard and convex



Catalog Number Lamp	Flat spread lens/ Vertical Guard	Flat spread lens/ Horizontal Guard	Flat spread lens/ Without Guard	Convex spread lens
LED 10.0W, (1020 lm @ 3000°K)	<b>L181VW</b>	<b>L181HW</b>	<b>L183W</b>	<b>L184W</b>
One 13W, (CFT/GX24q-1) compact fluorescent	<b>F181VW-13</b>	<b>F181HW-13</b>	<b>F183W-13</b>	<b>F184W-13</b>
One 20W, (G4 base) 12V halogen	<b>T181VW</b>	<b>T181HW</b>	<b>T183W</b>	<b>T184W</b>
One 50W, (GY6.35 base) 12V halogen	<b>T181VW-50</b>	<b>T181HW-50</b>	<b>T183W-50</b>	<b>T184W-50</b>

Lumens shown are source.

Photometric data available for Steplites can be downloaded at: [www.colelighting.com/downloads/1](http://www.colelighting.com/downloads/1)

#### Options

**Faceplate finishes:** Polished stainless steel.  
Add suffix **-PSS**. Satin brass with stainless steel guard. Add suffix **-SBR**.

**Clear prismatic glass lens:** Add suffix **-PG**.

**Opal glass diffuser:** Tempered. Add suffix **-OPL**.

**Tempered glass diffuser:** Flat, sandblasted.

Add suffix **-TG**.

**Voltage:** Fluorescent ballast. Add suffix **-277**.

(LED universal voltage standard)

**LED color:** 4100°K (1066 lm). Add suffix **-4K**.

#### How to Specify

1. Select catalog number with desired features.
2. Add suffixes for options required to meet job conditions.



**C.W. Cole & Company, Inc.**  
2560 Rosemead Boulevard  
South El Monte, CA 91733-1593

Tel. (626) 443-2473

Fax (626) 443-9253

[info@colelighting.com](mailto:info@colelighting.com)

[www.colelighting.com](http://www.colelighting.com)