

Steplites

Series	LED	Fluor.	Incan.	Dimming	Exterior	Interior	Feed-Thru	Other Options
153	•	•		•	•	•	•	Bronze faceplate Faceplate color Tamperproof screws

153 SERIES

Description

The 153 Series of compact Steplites is a low-profile site fixture with LED or fluorescent lamp options. Appropriate for low-level applications. The rugged construction, engineering excellence, and quality make these fixtures ideal for specification in most public areas.

Features

Louvers in the 153 Series are more widely spaced than most fixtures of this type, allowing for significantly greater forward projected illumination. Exceptional durability is provided by the thick cast aluminum louvered faceplate and the tempered glass diffuser. The 153 Series features an integral feed-thru junction box.

Applications

The 153 Series Steplites are suitable for concrete pour/block wall and stud wall mounting in indoor or outdoor installations. They are ideal in low walls and side mounting at stairs.

Custom

If your project demands a special fixture we would be pleased to discuss the production of modified standard fixtures or custom fixtures to suit your specific conditions. For more information on our custom capabilities, please contact your local Cole representative.



L153W - Cast aluminum faceplate



F153W-B - Bronze faceplate



LED

LED features integral driver, fluorescent is equipped with electronic ballast.



Fluorescent



C.W. Cole & Company, Inc.
2560 N. Rosemead Boulevard
South El Monte, CA 91733-1593

Tel. (626) 443-2473
Fax (626) 443-9253
info@colelighting.com
www.colelighting.com

Steplites

153 SERIES

SPECIFICATIONS

Construction

- Fixture housing is constructed from die-formed 16 gauge electro-galvanized steel finished with a white polyester coating
- Faceplate is cast aluminum with metallic aluminum polyester coating, gasketed and retained by stainless steel screws
- Diffuser is frosted tempered glass set in silicone sealant
- Reflector is constructed of die-formed white aluminum
- cETLus listed, suitable for wet locations in any wall construction.

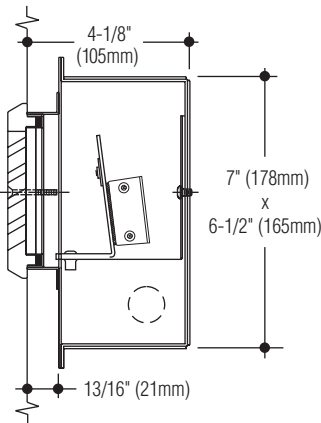
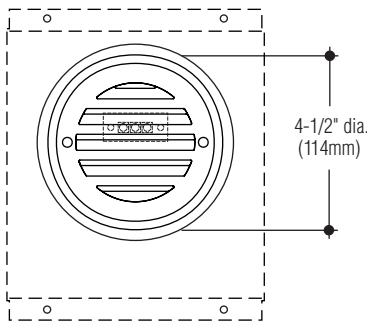
Electrical

- Fixture is wired with high performance LEDs, or one compact fluorescent lamp
- Driver is standard universal voltage
- Ballast is standard 120V (277V optional) electronic
- Integral junction box allows 8 wire thru-wiring, 4 in and 4 out. One 1/2" conduit knockout provided on each side of housing.

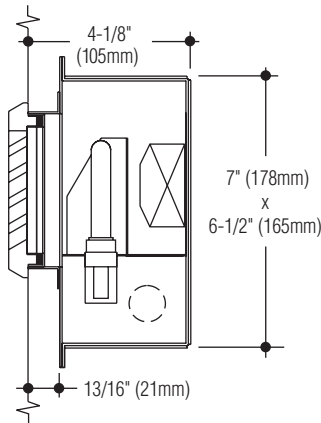
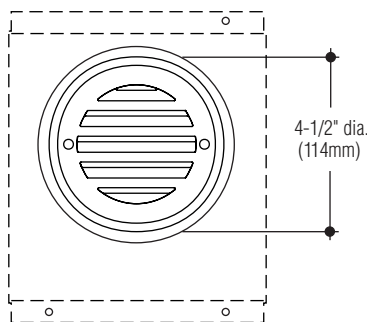
Mounting

Housing has flange with holes for mounting.

LED



Fluorescent



Catalog Number

Lamp

LED 4.2W, (260 lm @ 3000°K)
One 5W, (2G7) compact fluorescent

L153W
F153W

Photometric data available for Steplites can be downloaded at: www.colelighting.com/downloads/1

Options

Tamperproof screws: Socket head faceplate screws. Add suffix **-TP**.

Voltage: 277V ballast. Add suffix **-277**
(LED universal voltage standard)

Dimming: Universal voltage 0-10V driver. Add suffix **-DIM**.

Bronze faceplate: Satin finish, clear coated. Add suffix **-B**.

Alternate faceplate color: Black or white. Add suffix **-BLK** or **-WHT**.

Opal glass diffuser: Tempered. Add suffix **-OPL**.

LED color: 4000°K (265 lm). Add suffix **-4K**.

How to Specify

1. Select catalog number with desired features.
2. Add suffixes for options required to meet job conditions.

COLE
Lighting

C.W. Cole & Company, Inc.
2560 N. Rosemead Boulevard
South El Monte, CA 91733-1593

Tel. (626) 443-2473
Fax (626) 443-9253
info@colelighting.com
www.colelighting.com