

Signs



S193 — Back mount



S294 — Ceiling mount

S190/S290 SERIES

Surface single compartment

The S190/S290 Series of signs offer clean styling in an exit sign size. The extruded aluminum housings feature a black polyester finish with copy on white snap-in panels. The wider S190 Series is available with incandescent, fluorescent, or LED. Several options are available, and the sign may be specified for wet location mounting. Many standard copy options are in stock, and custom panels are available as required.



Custom color copy available as an option



S191 — Recessed

S191 SERIES

Recessed single compartment

The extruded aluminum trim features a black polyester coating with copy on white snap-in panels. Incandescent, fluorescent, or LED lamps is available, and the sign may be specified for wet location mounting, and other options. Many standard copy options are in stock, and custom panels are available as required.



S252S-L — Surface housing with LED lamps



S252 — Recessed

Illustrated with energized Read-Out Face option

S252 SERIES

Small recessed single compartment

The compact S252 Series signs provide a less obtrusive presence where smaller copy is acceptable. It is available with incandescent, fluorescent, or LED lamps and with several options. Many standard copy options are in stock, and custom panels are available as required.



Read-Out Face option provides blank appearance unless sign is energized.



C.W. Cole & Company, Inc.
2560 N. Rosemead Boulevard
South El Monte, CA 91733-1593

Tel. (626) 443-2473
Fax (626) 443-9253
info@colelighting.com
www.colelighting.com

Signs

S190/S290 SERIES

Catalog Numbers

Back Mount	S193-*	S293-*
Ceiling Mount	S194-*	S294-*
End Mount	S192-*	S292-*

* selected Group D copy

Options

- Double Face:** Add suffix **-D**.
- Fluorescent:** S190 only. Add suffix **-F**. 277V: Add **-277**.
- Flasher:** Incandescent only. Add suffix **-FL**.
- Read-Out Face:** Blank until lighted. Add suffix **-ROF**.
- Stencil Face:** Add suffix **-STF**.
- Wet Locations:** Add suffix **-W**.
- LED:** Add suffix **-L**.
- Custom:** Copy or Color. Add suffix **-CC**.

S191 SERIES

Catalog Numbers

Recessed Mount **S191-** (selected Group D copy)

Options

- Fluorescent:** Add suffix **-F**. 120V is standard; for 277V, add suffix **-277**.
- Flasher:** Incandescent only. Add suffix **-FL**.
- Read-Out Face:** Blank until lighted. Add suffix **-ROF**.
- Stencil Face:** Add suffix **-STF**.
- Wet Locations:** Add suffix **-W**.
- LED:** Add suffix **-L**.
- Custom:** Copy or Color. Add suffix **-CC**.

S252 SERIES

Catalog Numbers

Surface Mount **S252S-** (selected Group E copy)
Recessed Mount **S252-** (selected Group E copy)

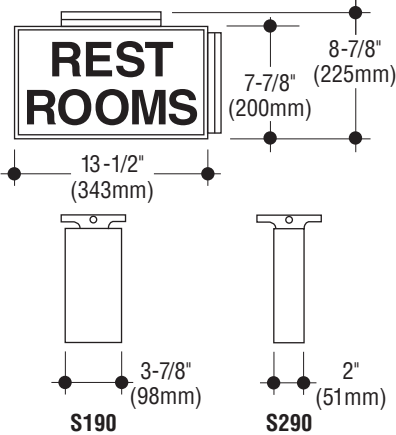
Options

- Fluorescent:** Add suffix **-F**. 120V is standard; for 277V, add suffix **-277**.
- Read-Out Face:** Blank until lighted. Add suffix **-ROF**.
- Stainless Steel:** Satin finished. Add suffix **-N**.
- Stencil Face:** Add suffix **-STF**.
- Wet Locations:** Add suffix **-W**.
- LED:** Add suffix **-L**.
- Custom:** Copy or Color. Add suffix **-CC**.



C.W. Cole & Company, Inc.
2560 N. Rosemead Boulevard
South El Monte, CA 91733-1593

Tel. (626) 443-2473
Fax (626) 443-9253
info@colelighting.com
www.colelighting.com



SPECIFICATIONS

Construction

- Fixture is constructed of extruded aluminum
- Finish is black polyester coating
- Copy is silk-screened on white butyrate snap-in panel
- Bracket is die-cast aluminum with black finish
- cULus listed, for wet locations when specified

Electrical

- S190 signs are wired for two 25W T6½ intermediate base incandescent lamps
- Two 7W compact fluorescent lamps optional on S190 only (120V standard)
- S290 signs are wired for two 25W T6½ DC bayonet base incandescent lamps
- Two 1.5W LED modules optional (universal voltage)

Mounting

Sign mounts directly to junction box

SPECIFICATIONS

Construction

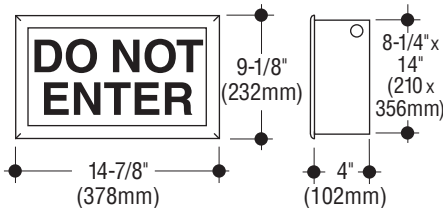
- Fixture is constructed of 18 gauge steel, suitable for poured concrete construction with extruded aluminum trim
- Finish on trim is black polyester coating; housing is white polyester coating
- Copy is silk-screened on white butyrate snap-in panel
- cULus listed, suitable for wet locations when specified

Electrical

- Wired for two 25W T6½ intermediate base incandescent lamps
- Two 7W compact fluorescent lamps optional (120V standard)
- Two 1.5W LED modules optional (universal voltage)

Mounting

Housing has holes for mounting.



SPECIFICATIONS

Construction

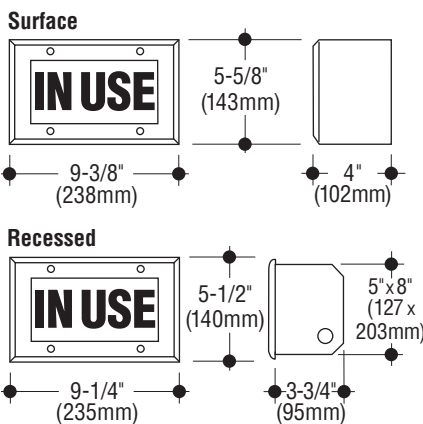
- Fixture is constructed of 16 gauge steel recessed housing suitable for poured concrete construction
- Trim and surface housing finish is metallic aluminum polyester coating; recessed housing is white polyester coating
- Copy is silk-screened on white acrylic
- cETLus listed, suitable for wet locations when specified

Electrical

- Wired for one 25W A19 incandescent lamp
- One 7W compact fluorescent lamp optional (120V standard)
- One 1.5W LED modules optional (universal voltage)

Mounting

Surface sign mounts to junction box. Recessed housing has flanges with holes for mounting, suitable for any wall construction.



Standard Copy Options

Group D			Group E		
X-RAY ROOM IN OPERATION DO NOT ENTER	IN USE	AREA OF RESCUE ASSISTANCE	DO NOT ENTER	DARKROOM IN USE	DO NOT ENTER
X-RAY ON	X-RAY IN USE	BEAM ON	ON THE AIR	X-RAY ON	X-RAY IN USE
LASER IN USE	DARKROOM IN USE	ROOM IN USE	FIRE ESCAPE	LASER IN USE	IN USE
MEN	WOMEN	STAIRS	REST ROOMS	ON AIR	ATM
ATM	ELEVATORS				

This chart indicates standard colors