

Exits

Interior/Exterior Applications



LX165-RED-120

The Brutus exit signs feature cast aluminum construction with tamperproof fasteners.



LDX166-RED-120

Red or green LEDs may be specified for this series.



LX167-GRN-277-A2

Bracket mounted models feature completely concealed mounting fasteners.

Brutus
Very Tough Exit Signs

Description

The Brutus exit signs are designed primarily for interior or exterior locations where abuse is anticipated. Every feature is designed to resist physical damage and ensure that the sign remains attractive and functional with minimal maintenance requirements.

Features

The exposed construction is heavy cast aluminum with no sharp edges, concealed mounting, tamperproof fasteners, and polycarbonate shielding. Weatherproof construction for exterior applications is optional. There is a choice of red or green LEDs with emergency operation as an option.

Applications

Brutus exit signs are appropriate in schools, sports facilities, parking structures, detention facilities, and other areas where vandalism and rough treatment might be expected.

Custom

If your project demands a special fixture we would be pleased to discuss the production of custom fixtures to suit your specific conditions. For more information on our custom capabilities, please contact your local Cole representative.



C.W. Cole & Company, Inc.
2560 N. Rosemead Boulevard
South El Monte, CA 91733-1593

Tel. (626) 443-2473
Fax (626) 443-9253
info@colelighting.com
www.colelighting.com

Exits

Interior/Exterior Applications

Brutus

Very Tough Exit Signs

SPECIFICATIONS

Construction

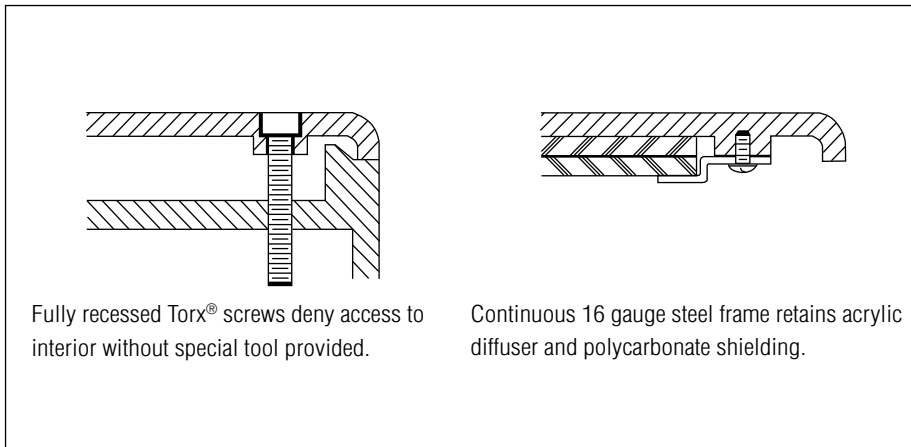
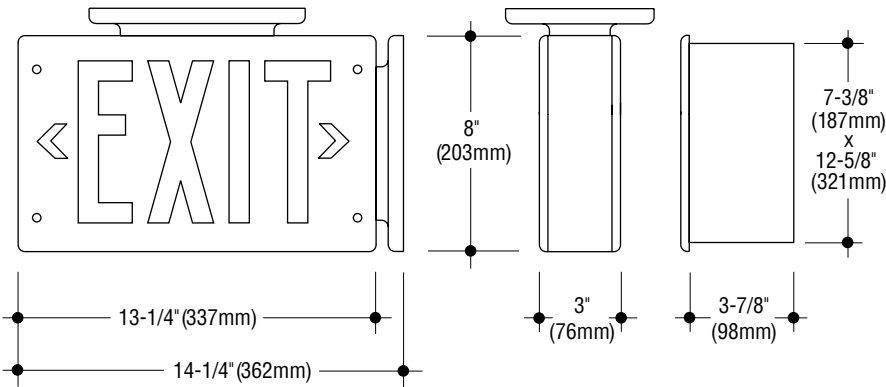
- Surface housing, faceplate, and bracket are constructed from cast aluminum with a bronze enamel finish
- Recessed housing is 16 gauge steel, suitable for poured concrete construction
- Letters and arrows are stencil cast in faceplate
- Diffuser is .125" colored acrylic covered by .125" clear polycarbonate shielding, retained by continuous 16 gauge steel frame
- Faceplate is retained by four Torx® tamperproof screws
- cULus listed, suitable for wet locations when specified.

Electrical

- Red or green LEDs are dual-circuit and dual-voltage
- When emergency battery operation is specified, all components are contained in housing. Nickel cadmium battery, test light and button are included with the -EM option.

Mounting

- Surface signs mount with concealed fasteners to wall or ceiling construction, not to junction box
- Recessed housing has holes for mounting.



Catalog Numbers	Single Face			Double Face		
	Back	Ceiling	End	Recessed	Ceiling	End
LED .4W (Red), .3W (Green)	LX165	LX166	LX168	LX167	LDX166	LDX168

Required suffixes		
Letter color	-RED	-GRN
Voltage	-120	-277

Options

Directional arrows:

- Arrow left -AL.
- Arrow right -AR.
- Doublehead -A2.

Left and right (for double face) -A.

Emergency battery: Integral circuitry provides 90 minutes of operation. Add suffix -EM.

Weatherproof: Add suffix -W.

Custom color: Contact factory for custom preference. Add suffix -CC.

How to Specify

1. Select catalog number with desired features.
2. Add suffixes for options required to meet job conditions.



C.W. Cole & Company, Inc.
 2560 N. Rosemead Boulevard
 South El Monte, CA 91733-1593

Tel. (626) 443-2473
 Fax (626) 443-9253
 info@colelighting.com
www.colelighting.com