

Plugging Boxes

Interior Applications



370 SERIES

Description

The 370 Series Plugging Box is a recessed floor mounted enclosure designed for the temporary connection of electrical devices in interior installations. It provides a large space for many electrical devices, while still maintaining a smooth finished appearance.

Features

Cover opens to provide access to devices. Cord slots allow door to remain closed with cord connected. Optional hinged door closes single 4" cord slot when not in use. Barrier can be provided behind interior panel to separate high and low voltage devices. The depth of the wiring area allows large devices and installation with large wire sizes.

Applications

The TLS-370 Series Plugging Boxes are for installations in exhibition halls, auditoriums, and civic buildings for the connection of many electrical devices in one large plugging box.

Custom

If your project demands a special fixture we would be pleased to discuss the production of custom fixtures to suit your specific conditions. For more information on our custom capabilities, please contact your local Cole representative.



An optional inner door with an opening handle conceals a single cord slot when the 370 Series is not in use.

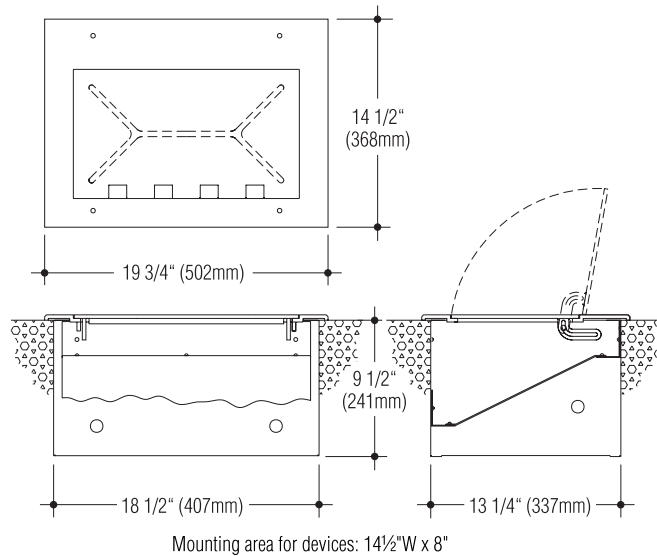


C. W. Cole & Company, Inc.
2560 N. Rosemead Boulevard
South El Monte, CA 91733-1593

Fax (626) 443-9253
Tel. (626) 443-2473
info@colelighting.com
www.colelighting.com

Plugging Boxes

370 SERIES



Specifications

Construction

- Frame and door are cast aluminum with natural satin finish
- Housing is 16 gauge steel with white polyester powder
- Frame has integral flange for carpet; optional flangeless frame is available
- Four cord slots allow cords to pass with door in closed position

Electrical

- Interior panel is provided blank to allow contractor to install required devices; can be provided with specified devices factory-installed
- Combination knockouts for 1/2"-3/4"-1" conduit sizes are furnished in ends and back (2)
- Separation barrier is required if high and low voltages are present in same box

Mounting

- Housing is suitable for concrete pour or wood floor installation
- Flanges are provided on the sides

Catalog Numbers

TLS-370

Options

Cast Bronze: Frame and door are satin finished cast red brass. Add suffix **-B**.

Flush Frame: Provides flangeless frame for non-carpeted floors; includes concrete cover for proper installation. Add suffix **-FF**.

Carpet Stops: Provides 1/4" vertical flange around perimeter of frame and cover for application of carpet directly on top of unit.

Add suffix **-CS**.

Single Cord Slot: Provides single 4" wide cord slot with hinged door. Add suffix **-1S**.

Separation Barrier: Provides barrier below device mounting panel to allow different voltage devices to be used. Add suffix **-SB**.

Installed Devices: Specify required electrical devices for factory installation. Add suffix **-9**.

How to Specify

1. Select catalog number with option suffix(es).
2. Specify electrical devices if factory installation is desired.
3. Indicate special conduit feed locations if required.



C. W. Cole & Company, Inc.
 2560 N. Rosemead Boulevard
 South El Monte, CA 91733-1593

Fax (626) 443-9253
 Tel. (626) 443-2473
 info@colelighting.com
 www.colelighting.com