

**Plugging Boxes**

Interior / Exterior Applications



**310 SERIES  
Recessed Wall Box**

**Description**

The 310 Series Plugging Boxes are recessed wall mounted enclosures designed for the temporary connection of electrical devices in interior or exterior applications.

**Features**

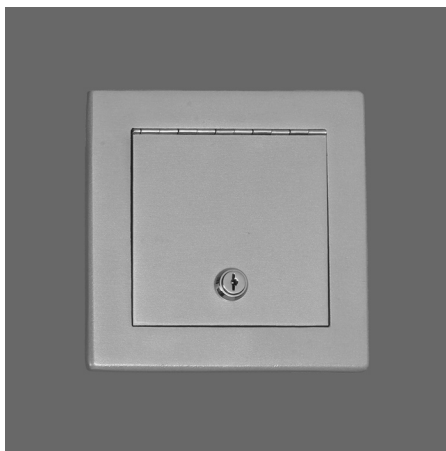
The 310 Series Plugging Boxes have a locking cover to assure protection from improper or unauthorized use. Key is removable only when lock is in "locked" position. Open cover will not fully close without use of key, permitting custodian to tell at a glance whether unit is open or locked. A barrier in the wiring area allows mixed voltage devices within the enclosure.

**Applications**

The 310 Series Plugging Boxes are appropriate in schools, churches, hospitals and civic buildings for connection of lighting, sound and service appliance equipment.

**Custom**

If your project demands a special fixture we would be pleased to discuss the production of custom fixtures to suit your specific conditions. For more information on our custom capabilities, please contact your local Cole representative.



The 310 Series wall boxes provide secure, all-weather access to electrical devices.



**C. W. Cole & Company, Inc.**  
 2560 N. Rosemead Boulevard  
 South El Monte, CA 91733-1593

Fax (626) 443-9253  
 Tel. (626) 443-2473  
 info@colelighting.com  
 www.colelighting.com

## Plugging Boxes

### 310 SERIES Recessed Wall Box

#### Specifications

##### Construction

- Cover is cast aluminum with self-closing, locking door
- All units keyed alike
- Cover is gasketed weathertight
- Housing is 16 gauge steel
- Cover and housing metallic aluminum polyester powder coating

##### Electrical

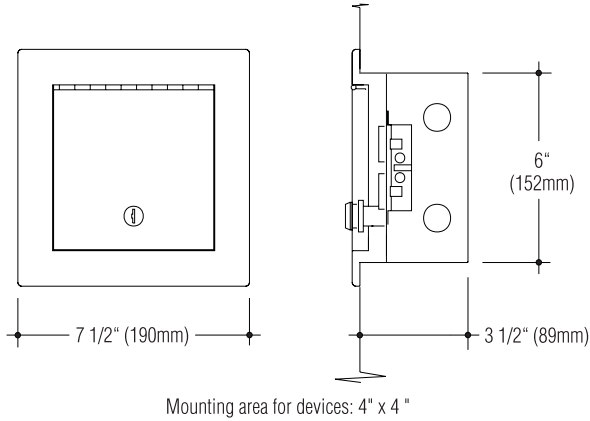
- Various wiring devices or combinations are available as indicated with catalog suffixes
- Units with multiple-voltage requirements have metal circuit barrier.
- All parts are grounded
- Housing has eight 1/2"-3/4"-1" combination trade-size conduit entrances

##### Mounting

- Interior or exterior stud wall or concrete pour

##### How to Specify

1. Select catalog number with desired features.
2. Add suffixes for options required to meet job conditions.



#### Catalog Numbers

Blank interior plate. No device furnished	<b>TL-310</b>
Two duplex U-ground power outlets 15 amp, 125 volt	<b>TL-310-1</b> 
Two duplex 3-wire twist-lock power outlets. 15 amp, 125 volt	<b>TL-310-2</b> 
One 3-pole microphone outlet and one 4-pole speaker outlet. Low voltage	<b>TL-310-3</b> 
One duplex U-ground power outlet with one 3-pole microphone and one 4-pole speaker outlet. 15 amp, 125 volt. Low voltage	<b>TL-310-4</b> 
One duplex 3-wire twist-lock outlet with one 3-pole microphone and one 4-pole speaker outlet. 15 amp, 125 volt. Low voltage	<b>TL-310-5</b> 
Additional combinations of above or other standard wiring devices as required. Standard voltage side: one duplex or one single device. Low voltage side: two devices. Specify complete requirements	<b>TL-310-9</b>

#### Options

**Bronze Cover:** Satin finished red brass.

Add suffix **-B**.

**Concrete Mount:** Add suffix **-C**.

**Weather Tight Cord Slot:** Provides deeper housing and two cordslots. Allows for wet location use with device plugged in.  
Add suffix **-WCS**.



**C. W. Cole & Company, Inc.**  
2560 N. Rosemead Boulevard  
South El Monte, CA 91733-1593

Fax (626) 443-9253

Tel. (626) 443-2473

info@colelighting.com

www.colelighting.com

# COLE LIGHTING



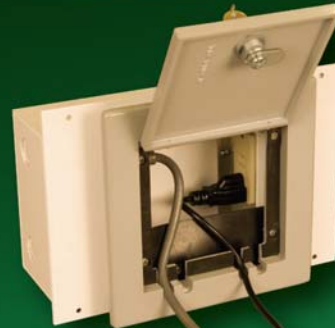
**Deep Housing**  
**TL310 - WCS**



7 1/2" Sq. x 5 1/2" Dp.



**Shallow Housing**  
**TL310 - WCS - SH**



7 1/2" Sq. x 3 7/8" Dp.



**Pedestal Mount**  
**TL310 - WCS - PED**



7 1/2" Sq. x 5 1/2" Dp.  
13 1/2" Min. O.A.H.

**DESCRIPTION:**

- 1.) Features "In-Use Wet Location" Design
- 2.) 16 GA. Electro-Galvanized Steel Housing (Recessed)  
1/8" Thk. Aluminum Housing (Pedestal)
- 3.) Deep Housing Option for Concrete Pour,  
Shallow Housing option for Concrete Pour or Stud Walls,  
Pedestal Mount for Free-Standing Applications
- 4.) Heavy Duty Cast Aluminum Hinged Door and Frame
- 5.) Cordslots with Weatherproof Baffle Backing
- 6.) Two Single Gang Electrical Receptacle Capacity -  
(ex: Two GFCI Receptacles or One GFCI and One Data Port)
- 7.) Metallic Silver Polyester Powder Coat Finish

TL310-WCS

**COLE**  
LIGHTING SINCE 1911

C.W. COLE & CO., INC. 2560 N. ROSEMEAD BLVD., SOUTH EL MONTE, CA 91733-1593 • www.colelighting.com • (626) 443-2473 • FAX (626) 443-9253

**PLUGGING BOX / CORD SLOT SERIES**

**CAST ALUMINUM FRAME & DOOR**

DRAWN BY DTW	DATE 2-17-11	CHECKED BY D.W.	DATE 2-17-11	SCALE NTS
-----------------	-----------------	--------------------	-----------------	--------------

DRAWING No **TL310-WCS**