

## Downlites

### D180 SERIES

#### Description

Cole offers Downlites that provide efficient illumination. The fine satin or polished metal finishes add a premium quality appearance and the frosted diffuser provides smooth illumination. Fixtures are furnished with stainless steel trims and ceiling pan, which solidly attach to corrosion resistant aluminum housings. Fixtures are suitable for dry ceiling construction. These fixtures are particularly suitable for application in canopy areas, showers, restrooms, stairway landings, and other areas where sleek styling and corrosion resistance carry a special premium.

#### Features

Stainless steel and aluminum construction provide corrosion resistant durability. Three light source options are available.

#### Applications

Downlites are best suited for outdoor canopies, loading areas, and other exposed locations in schools, sports venues, and industrial facilities.

#### Custom

If your project demands a special fixture we would be pleased to discuss the production of custom fixtures to suit your specific conditions. For more information on our custom capabilities, please contact your local Cole representative.



**Satin Stainless Steel Trim with Opal Glass Diffuser**



**Polished Stainless Steel Trim with Protective Guard and Frosted Glass Diffuser**



**Satin Stainless Steel Trim with Prismatic Glass Lens**



**C.W. Cole & Company, Inc.**  
**2560 N. Rosemead Boulevard**  
**South El Monte, CA 91733-1593**

**Tel. (626) 443-2473**  
**Fax (626) 443-9253**  
**info@colelighting.com**  
[www.colelighting.com](http://www.colelighting.com)

## Downlites

### D180 SERIES

#### SPECIFICATIONS

##### Construction

- Semi specular reflector housing is spun aluminum
- Trim is spun 18 gauge satin stainless steel, gasketed and retained by four stainless steel tamperproof socket head cap screws
- Optional guard is 1/4" diameter stainless steel
- Shielding is frosted tempered glass

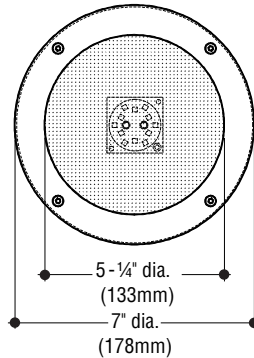
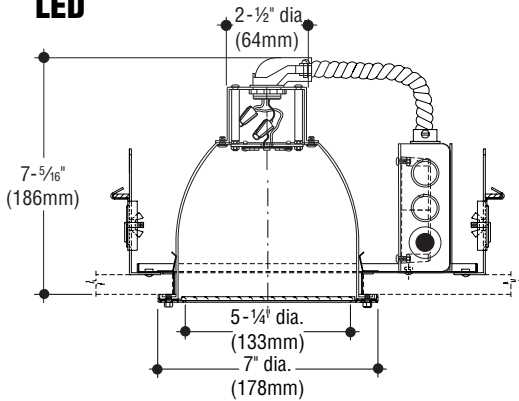
##### Electrical

- Wired for LED, compact fluorescent or halogen lamp
- Driver, ballast and transformer are integral
- Driver features ELV and triac dimming capabilities
- LED and halogen are 120V only, fluorescent is 120V (277V optional)
- Halogen models suitable for non-IC ceiling construction only
- cETLus listed for wet locations when specified
- LED and fluorescent models suitable in IC/non-IC ceiling construction

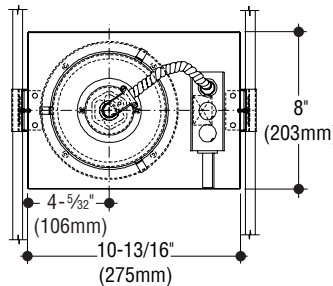
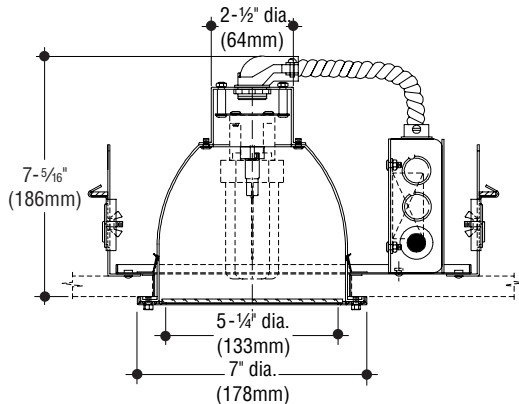
##### Mounting

Housing has adjustable hangers and two 18" mounting bars.

#### LED



#### Fluorescent & Halogen



#### Catalog Numbers

Lamps	No Guard	With Guard
One 12W LED, (1020 lumens at 3000°K)	<b>DL183</b>	<b>DL181</b>
One 13W (GX24q-1 base) compact fluorescent	<b>DF183-13</b>	<b>DF181-13</b>
One 50W (GY6.35 base) 12V halogen	<b>DT183-50</b>	<b>DT181-50</b>

Photometric data available for Steplites can be downloaded at: [www.colelighting.com/downloads/1](http://www.colelighting.com/downloads/1)

#### Options

**Alternate finishes:** Satin brass with stainless steel guard **-SBR**. Polished stainless steel **-PSS**.  
**Ballast:** Fluorescent only, 277V. Add suffix **-277**.  
**Clear prismatic glass lens:** Add suffix **-PG**.  
**Opal glass diffuser:** Add suffix **-OPL**.  
**Weatherproof:** IP 55 rated for exterior applications. Add suffix **-W**.  
**LED colors:** 4000°K (1100 lm). Add suffix **-4K**.  
**Remote power supply:** Recommended when used in saunas or spas. Add suffix **-REM**.

#### How to Specify

1. Select catalog number with desired features.
2. Add suffixes for options required to meet job conditions.



C.W. Cole & Company, Inc.  
 2560 N. Rosemead Boulevard  
 South El Monte, CA 91733-1593

Tel. (626) 443-2473  
 Fax (626) 443-9253  
[info@colelighting.com](mailto:info@colelighting.com)  
[www.colelighting.com](http://www.colelighting.com)