

Round Dry Ceiling



Downlites

Description

These round Downlites for dry ceiling installations are offered in two sizes. LED, metal halide, fluorescent and incandescent lamp options are available along with a variety of trims. The robust construction and weathertight option make these fixtures ideal for many interior and exterior public areas.

Features

Steel housings with accessible junction boxes are suitable for installation in dry construction. Housings are provided with adjustable hangers and mounting bars. Durable cast aluminum or stainless steel trims, combined with a selection of lenses provide a solution for most any application.

Applications

Downlites are best suited for outdoor canopies, loading areas, and other exposed locations in schools, sports venues, and industrial facilities.

Custom

If your project demands a special fixture we would be pleased to discuss the production of custom fixtures to suit your specific conditions. For more information on our custom capabilities, please contact your local Cole representative.



**Stainless Steel Trim
with Concave Lens**



**Cast Aluminum
Louver Trim**



**Cast Aluminum
Regressed Trim**

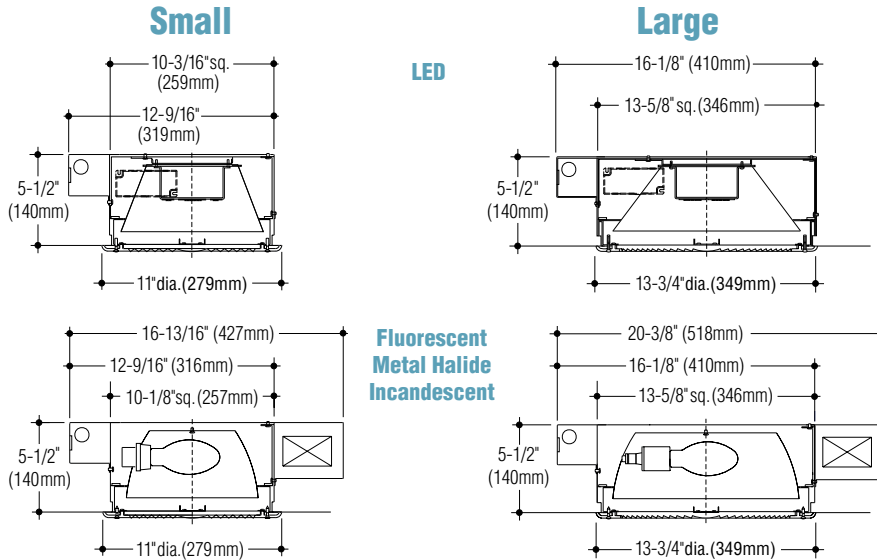


C.W. Cole & Company, Inc.
2560 N. Rosemead Boulevard
South El Monte, CA 91733-1593

Tel. (626) 443-2473
Fax (626) 443-9253
info@colelighting.com
www.colelighting.com

Round Dry Ceiling

Downlites



Metal halide shown, fluorescent and incandescent models do not include ballast enclosure.

	Catalog Number	Wattage/Lamp	Base
Small	1308R	LED 12.3W, (1360 lm @ 3000°K)	
	1308R-HO	LED 18.4W, (2040 lm @ 3000°K)	
	1408R	32W compact fluorescent	GX24q-3
	1508R	100W metal halide	E17 Medium
	1608R	150W incandescent	A21 Medium
Large	1312R	LED 18.4W, (2040 lm @ 3000°K)	
	1412R	42W compact fluorescent	GX24q-4
	1512R	150W metal halide	E17 Medium
	1612R	200W incandescent	A21 Medium

Photometric data available for Steplites can be downloaded at: www.colelighting.com/downloads/1

Options

Trim:

Satin stainless steel. Add suffix **-N**.
Cast louvered. (Small only) Add suffix **-L**.
Cast regressed. Add suffix **-P**.

Shielding:

Concave Ifens

Small: Holophane #555. Add suffix **-555**.
Large: Holophane #556. Add suffix **-556**.

3/8" Frosted tempered glass diffuser.

Add suffix **-HD**.

Tamperproof screws: Socket head trim screws.

Add suffix **-TP**.

Dimming: Fluorescent and LED, Universal voltage, 0-10V driver. Add suffix **-DIM**.

Weatherproof: IP55 rated for exterior applications. Add suffix **-W**.

Emergency battery: Provides up to 90 minutes operation for both LED and fluorescent models. Add suffix **-EM**.

Alternate faceplate color:

Black. Add suffix **-BLK**.
White. Add suffix **-WHT**.
Custom color. Specify. Add suffix **-CC**.

How to Specify

1. Select catalog number.
2. Add suffixes for options required to meet job conditions.

SPECIFICATION

Construction

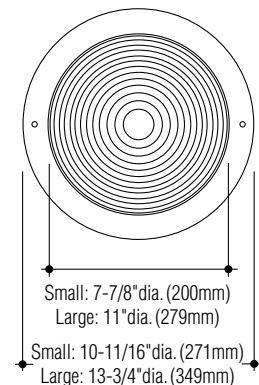
- Cast aluminum trim with metallic aluminum polyester coating. Other colors are available
- 16 gauge electro-galvanized steel housing with white polyester coating
- Drop-hinged trim secured by two stainless steel captive screws
- Semi-specular aluminum reflector
- Fresnel glass lens standard for LED, metal halide and incandescent models; Pattern 73 prismatic glass lens for fluorescent models. Other shielding is available.

Electrical

- Fixtures are wired for LEDs, compact fluorescent, metal halide or incandescent lamps
- Drivers and electronic ballasts are universal voltage
- Integral junction box has 1/2" conduit knock-outs at each end and two in back
- Junction box is accessible from above and within housing for wiring before or after the fixture is in place
- cETLus listed for wet locations when specified.

Mounting

- Housing has adjustable hangers and two 18" mounting bars.



COLE
Lighting

C.W. Cole & Company, Inc.
2560 N. Rosemead Boulevard
South El Monte, CA 91733-1593

Tel. (626) 443-2473
Fax (626) 443-9253
info@colelighting.com
www.colelighting.com