

LED Steplites



L111-N & L211-DX/USB

L111/L211 SERIES

This directional Steplite features high performance LEDs. Its unique optical design provides impressive forward-throw while eliminating any visible light above horizontal. The rugged construction, engineering excellence, and quality make this fixture ideal for specification in most public areas.

Choices of powder coated aluminum or brushed stainless steel faceplates provide a sleek and modern appearance. Integral driver simplifies specifications and installation.

The L111/L211 Series Steplites are suitable for block and stud wall mounting in indoor or outdoor installations. They are ideal for use in stairwells, corridors, patient rooms or residential applications where high light levels are desirable.

If your project demands a special fixture, we would be pleased to discuss the production of modified standard fixtures or custom fixtures to suit your specific conditions. For more information on our custom capabilities, please contact your local Cole representative.



L111-N



L211-N-SW



COLE
Lighting

C.W. Cole & Company, Inc.
2560 Rosemead Boulevard
South El Monte, CA 91733-1593

Tel. (626) 443-2473

Fax (626) 443-9253

info@colelighting.com

www.colelighting.com

L111 Series

SPECIFICATIONS

Construction

- Furnished with a galvanized steel RACO® (Cat.# 670RAC) or equal, single-gang box
- Faceplates are 1/8" thick
- Aluminum faceplates are powder coated; Stainless steel are satin finished, passivated for maximum rust resistance
- Fixtures are furnished with stainless steel socket head tamperproof screws
- Diffuser is clear tempered glass, set in silicone sealant
- Internal baffle is coated matte black to eliminate LED glare
- cETLus listed installation in block and stud wall construction and suitable for wet locations.

Electrical

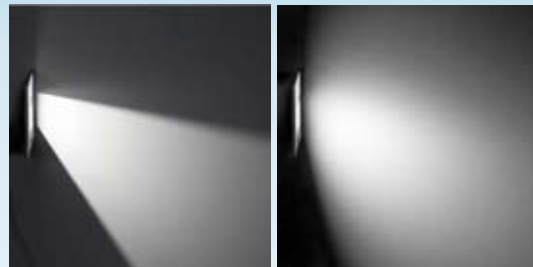
- 120V only
- Housing provided with multiple 1/2" conduit knockouts
- Fixture is wired with high performance LEDs
- Integral 120V driver features ELV dimming capability.

Mounting

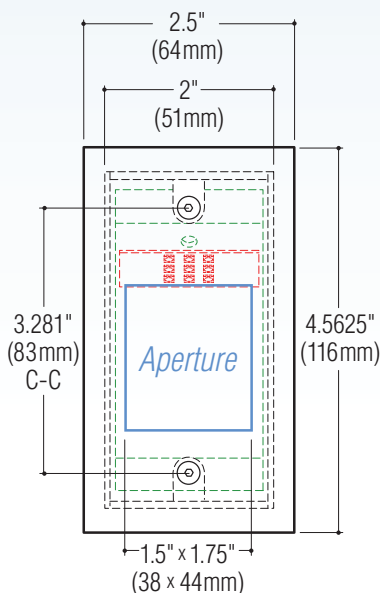
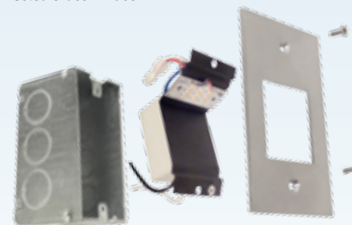
Housing has holes for mounting.

How to Specify

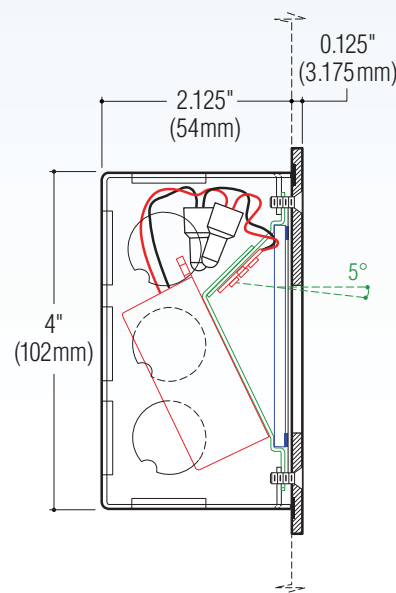
1. Select catalog number with desired features.
2. Add suffixes for options required to meet job conditions.



Clear Glass Diffuser or Frosted Glass Diffuser



FRONT VIEW



SIDE - SECTION



Blue LED available for theater aisle lighting

Bronze, satin finish or custom color faceplates are optional



Catalog Number

Lamp

LED 3.06W, (450 lm @ 3000°K)

Faceplate

Aluminum

Stainless Steel

L111W-AL

L111W-N

Lumens shown are source.

Photometric data available for Steplites can be downloaded at: www.colelighting.com/downloads/1

Options

LED colors: 4000°K (470 lm). Add suffix **-4K**.

Amber. Add suffix **-AMB**.

Blue. Add suffix **-BLU**.

Bronze faceplate: Satin finished, clear coated.

Add suffix **-B**.

Alternate trim color:

Metallic aluminum. Add suffix **-ALU**

Black. Add suffix **-BLK**

Custom color or finish (consult factory for choices). Add suffix **-CC**.

Antimicrobial white paint: Coating that resists bacterial growth. Add suffix **-AM**

Frosted glass diffuser: Tempered.

Add suffix **-FG**



L211 Series



SPECIFICATIONS

Construction

- Furnished with a galvanized steel Steel City® (Cat.# 132-W-1/2) or equal, single-gang box
- Faceplates are 1/8" thick • Aluminum faceplates are powder coated; Stainless steel are satin finished, passivated for maximum rust resistance
- Fixtures are furnished with stainless steel socket head tamperproof screws • Diffuser is clear tempered glass, set in silicone sealant • Internal baffle is coated matte black to eliminate LED glare
- cETLus listed installation in block and stud wall construction and suitable for wet locations.

Electrical

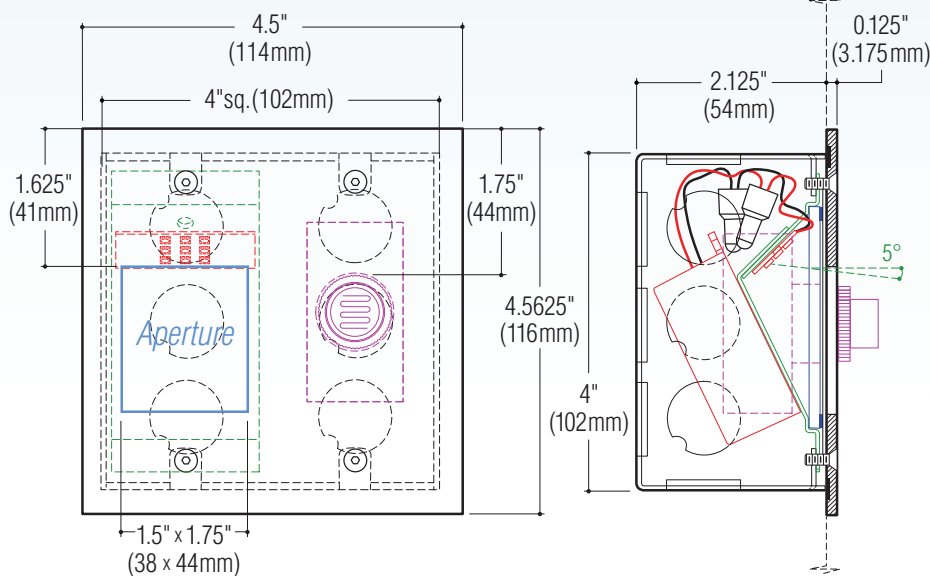
- 120V only • Housing provided with multiple 1/2" conduit knockouts • Fixture is wired with high performance LEDs • Integral 120V driver features ELV dimming capability.

Mounting

Housing has holes for mounting.

How to Specify

1. Select catalog number with desired features.
2. Add suffixes for options required to meet job conditions.



FRONT VIEW

SIDE - SECTION

Catalog Number

Lamp

LED 3.06W, (450 lm @ 3000°K)

Faceplate

Aluminum

L211-AL

Stainless Steel

L211-N

Lumens shown are source.

Photometric data available for Steplites can be downloaded at: www.colelighting.com/downloads/1

Options

LED colors: 4000°K (470 lm). Add suffix **-4K**.

Amber. Add suffix **-AMB**.

Blue. Add suffix **-BLU**.

Bronze faceplate: Satin finished, clear coated.

Add suffix **-B**.

Alternate trim color:

Metallic aluminum. Add suffix **-ALU**

Black. Add suffix **-BLK**

Custom color or finish (consult factory for choices). Add suffix **-CC**.

Antimicrobial white paint: Coating that

resists bacterial growth. Add suffix **-AM**

Frosted glass diffuser: Tempered.

Add suffix **-FG**

Sensors: Photocell. Add suffix **-PC**.

Occupancy Sensor. Add suffix **-OCC**.

Button/Switch **-SW**.

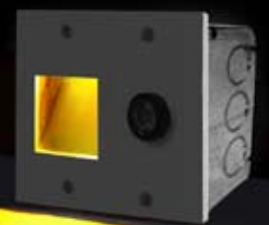
Devices: Duplex. Add suffix **-DUP**.

Universal Serial Bus port. Add suffix **-USB**.

Weatherproof: Exterior use. For OCC and PC

devices only. Add suffix **-W**.

Amber
LED with
Photocell



Antimicrobial
white paint

COLE
Lighting



Device Options



Photocell
(-PC)



Occupancy
Sensor
(-OCC)



Button/Switch
(-SW)

L603-N-DUP/USB

A variety of optional wired devices are available for this directional L211 series steplite.

COLE
Lighting



Blue LED



Amber LED



SPECIFICATIONS

Construction

- Furnished with a galvanized steel Steel City® (Cat.# 132-W-1/2) or equal, single-gang box
- Faceplates are 1/8" thick
- Aluminum faceplates are powder coated; Stainless steel are satin finished, passivated for maximum rust resistance
- Fixtures are furnished with stainless steel socket head tamperproof screws
- Diffuser is clear tempered glass, set in silicone sealant
- Internal baffle is coated matte black to eliminate LED glare
- cETLus listed installation in block and stud wall construction and suitable for wet locations.

Electrical

- 120V only
- Housing provided with multiple 1/2" conduit knockouts
- Fixture is wired with high performance LEDs
- Integral 120V driver features ELV dimming capability.

For more L211 Series information - <http://colelighting.com/series/106>



L211-AL-PC



L211-N-SW



L211-AL-ALU-OCC