

Railite



Tomorrowland,
Disneyland, CA

C1392 SERIES C1392D SERIES DIRECTIONAL

Unique, slim profile luminaire for use in architectural railing systems between support posts. A high impact opal acrylic or clear glass diffuser provides a symmetrical illumination pattern that effectively washes walkways with light. Illumination is provided by high performance LEDs or compact fluorescent lamps with integral driver or ballast.



Directional cut-off characteristic

COLE
Lighting

C.W. Cole & Company, Inc.
2560 N. Rosemead Boulevard
South El Monte, CA 91733-1593

Tel. (626) 443-2473
Fax (626) 443-9253
info@colelighting.com
www.colelighting.com

RaiLite

C1392 Series

Description

Unique, slim profile luminaire for use in architectural railing systems between support posts. A high impact opal acrylic diffuser provides a symmetrical illumination pattern that effectively washes walkways with light. Illumination is provided by high performance LEDs or compact fluorescent lamps with integral driver or ballast.

Applications

Ideal for use in guardrails on pedestrian bridges, stair and ramp railings.

Construction

- Housing is constructed from 20 gauge stainless steel or .050" aluminum
- Satin finish with passivation on exterior stainless steel surfaces or powder coat on aluminum surfaces
- Diffuser is 3/16" opal acrylic
- Tamperproof screws provided
- cETLus listed for use in wet locations, in any wall construction
- Intended for mounting between pairs of vertical support posts via field-drilled mounting holes. Other mounting methods are available on request.

Electrical

- Fixture is wired for high performance LEDs or compact fluorescent
- Driver is universal voltage
- Ballast is standard 0°F electronic 120V (277V optional)
- Provided with 1/2" knockout on either side.

Custom

If your project demands a special fixture we would be pleased to discuss the production of modified standard fixtures or custom fixtures to suit your specific conditions. For more information on our custom capabilities, please contact your local Cole representative.

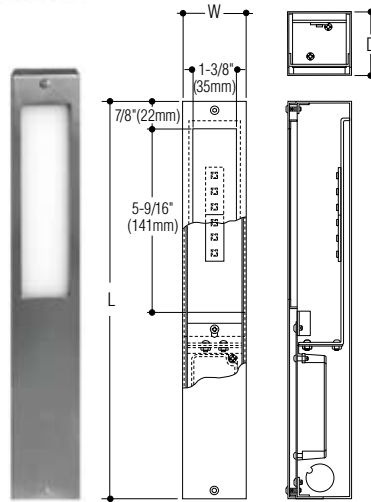


C.W. Cole & Company, Inc.
 2560 N. Rosemead Boulevard
 South El Monte, CA 91733-1593

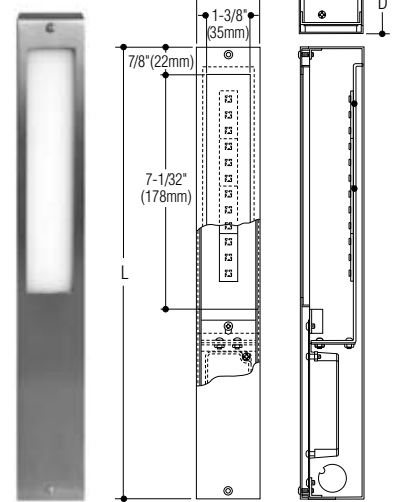
Tel. (626) 443-2473
 Fax (626) 443-9253
 info@colelighting.com
 www.colelighting.com



C1392W-LED



C1392W-LED-2



Catalog Number Lamp

LED 1.5W, (126 lm @ 3000°K; 146 lm @ 4000°K)
 LED 3.6W, (215 lm @ 3000°K; 249 lm @ 4000°K)
 LED 3.0W, (252 lm @ 3000°K; 292 lm @ 4000°K)
 LED 7.2W, (430 lm @ 3000°K; 498 lm @ 4000°K)
 One 7W or 9W (CFT7/9W/2G7) compact fluor.
 One 13W (CFT13W/2GX7) compact fluor.
 One 18W (FT18W/2G11) compact fluor.
 One 24W (FT24/27W/2G11) compact fluor.
 One 36W (FT36/39W/2G11) compact fluor.

Housing W & D Housing Length

C1392W-LED 2" x 2" 12 3/4"
C1392W-LED-HO 2" x 2" 12 3/4"
C1392W-LED-2 2" x 2" 14 1/4"
C1392W-LED-HO-2 2" x 2" 14 1/4"
C1392W-7/9 2" x 2" 12 3/4"
C1392W-13 2" x 2" 12 3/4"
C1392W-18 2-1/2" x 2-1/2" 18 1/2"
C1392W-24 3" x 2-1/2" 24"
C1392W-36 3" x 2-1/2" 27"

Photometric data can be downloaded at: www.colelighting.com/downloads/1

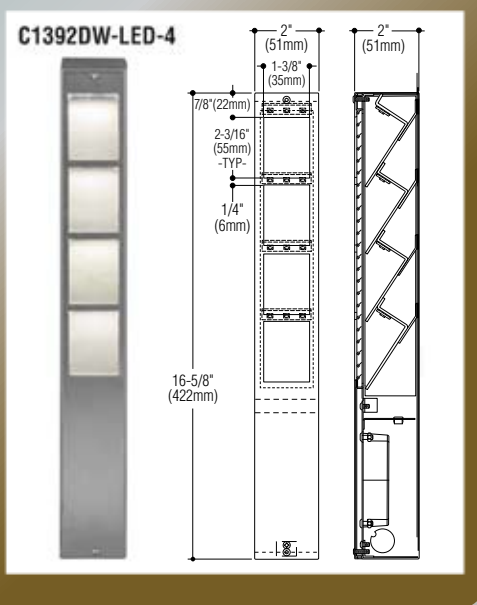
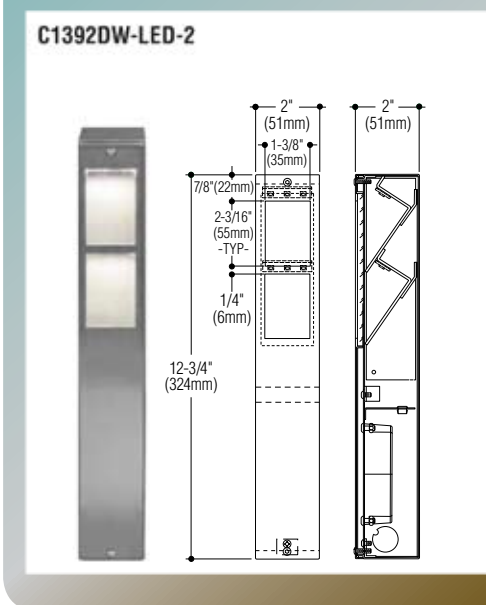
Options

Ballast: 277V. Add suffix **-277**.
Alternate housing dimensions: Add suffix **-SP/** (dimensions).
Alternate shielding: Contact factory for options. Add suffix **-OS**.
Double sided: Provides apertures on opposing sides. Add suffix **-2S** (N/A HO or HO-2).

Bottom KO: 1/2" knockout at bottom in lieu of standard side knockouts (3" wide housing suitable for two knockouts). Add suffix **-BKO**.
LED color: 4000°K. Add suffix **-4K**.
Painted finish: Add suffix **-CC/(color)**.

RaiLite

C1392D Directional



Description

Unique, slim profile luminaire for use in architectural railing systems between support posts. The C1392D Series has a clear glass diffuser with specifically placed LEDs, minimizing the visibility of the lamp. Matte black baffles help reduce reflective glare while allowing an even downward throw of light. Illumination is provided by high performance LEDs with integral driver.

Applications

Ideal for use in guardrails on pedestrian bridges, stair and ramp railings.

Construction

- Housing is constructed from 20 gauge stainless steel or .050" aluminum
- Satin finish with passivation on exterior stainless steel surfaces or powder coat on aluminum surfaces
- Diffuser is 1/8" clear tempered glass
- Tamperproof screws provided
- cETLus listed for use in wet locations, in any wall construction
- Intended for mounting between pairs of vertical support posts via field-drilled mounting holes. Other mounting methods are available on request.

Electrical

- Fixture is wired for high performance LEDs
- Driver is universal voltage
- Provided with 1/2" knockout on either side

Custom

If your project demands a special fixture we would be pleased to discuss the production of modified standard fixtures or custom fixtures to suit your specific conditions. For more information on our custom capabilities, please contact your local Cole representative.

Catalog Number Lamp

Housing W & D

Housing Length

LED 1.5W, (126 lm @ 3000°K; 146 lm @ 4000°K)	C1392DW-LED-2	2" x 2"	12 ¾"
LED 3.6W, (215 lm @ 3000°K; 249 lm @ 4000°K)	C1392DW-LED-2-HO	2" x 2"	12 ¾"
LED 3.0W, (252 lm @ 3000°K; 292 lm @ 4000°K)	C1392DW-LED-4	2" x 2"	16 ⅝"
LED 7.2W, (430 lm @ 3000°K; 498 lm @ 4000°K)	C1392DW-LED-4-HO	2" x 2"	16 ⅝"

Photometric data can be downloaded at: www.colelighting.com/downloads/1

Options

Alternate housing dimensions: Add suffix **-SP/** (dimensions).

Alternate shielding: Contact factory for options. Add suffix **-OS**.

Bottom KO: 1/2" knockout at bottom in lieu of standard side knockouts. Add suffix **-BKO**.

Frosted glass diffuser: Tempered. Add suffix **-FG**.

LED color: 4000°K. Add suffix **-4K**.

Painted finish: Add suffix **-CC/**(color).



Directional cut-off characteristic

COLE
Lighting

C.W. Cole & Company, Inc.
2560 N. Rosemead Boulevard
South El Monte, CA 91733-1593

Tel. (626) 443-2473

Fax (626) 443-9253

info@colelighting.com

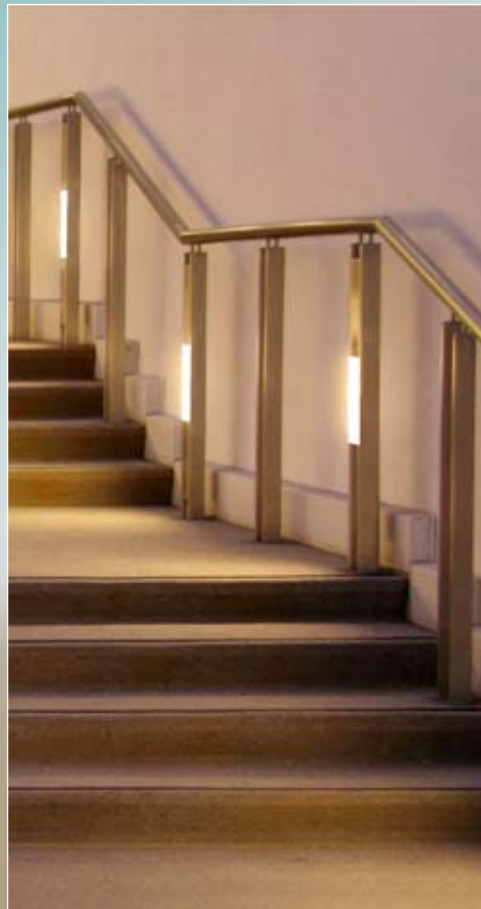
www.colelighting.com



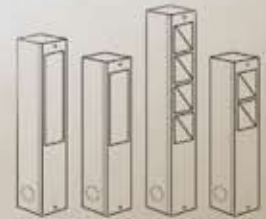
Santa Monica Place, CA



Getty Villa, Malibu, CA



Santa Monica Place, CA



Railite

C1392-C1392D Series

COLE
Lighting

C.W. Cole & Company, Inc.
2560 N. Rosemead Boulevard
South El Monte, CA 91733-1593

Tel. (626) 443-2473

Fax (626) 443-9253

info@colelighting.com

www.colelighting.com