

Church Lights

Cole offers numerous other lighting fixtures types to address supplemental lighting and signage requirements within the church environment.

Refer to catalog pages for details.



This classic fixture style blends beautifully with traditional church architecture.



Plugging Boxes are available in many sizes for floor and wall installations.

Supplemental Lighting



Anteproskenium spotlights can be hidden behind structural elements to highlight the pulpit, altar, and architectural features.



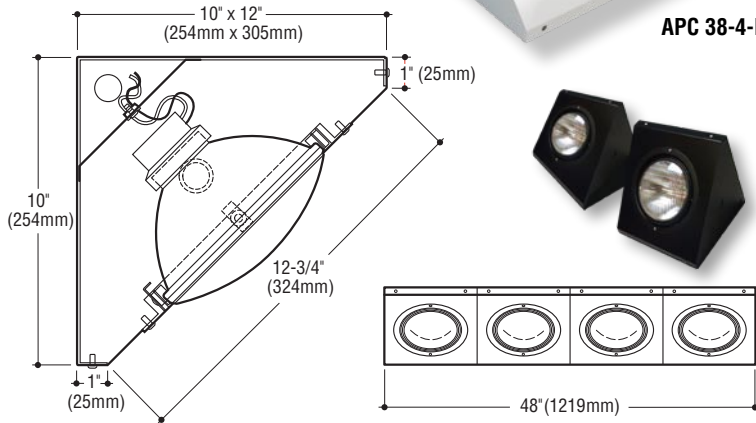
Theatrical style spotlights add dramatic effects for performance areas or general highlighting.



APC 38-3



APC 38-4-F-L-WHT



Supplemental Church Lighting

Anteprosceium Spotlight

Anteprosceium spotlights can be hidden behind structural elements to highlight the pulpit, choir loft, alter, and architectural features. Gimbal-mounted LED PAR 38 medium based lamps can be individually aimed as needed. Single-lamp modules are factory connected as specified.

Construction

- Fixture is 18 gauge electro galvanized steel
- Standard finish is black polyester

Mounting

- Mounting holes on top and back of housing
- 1/2" KO's located at each end of housing for electrical feed and tandem mounting

Catalog Number

Lamp socket*

1 Lamp 2 Lamps 3 Lamps 4 Lamps

CORNER

(3000K) LED PAR 38 medium base

APC 38-1 APC 38-2 APC 38-3 APC 38-4

RECESSED

(3000K) LED PAR 38 medium base

APR 38-1 APR 38-2 APR 38-3 APR 38-4

SURFACE

(3000K) LED PAR 38 medium base

APS 38-1 APS 38-2 APS 38-3 APS 38-4

*Lamps not provided

Options

Alternate Finishes: White, or Custom Color:
Add suffix **-WHT**, or **-CC**.

Concentric Ring Louver: Add suffix **-L**.

Filter: Provides mounting clips and one glass filter per lamp. Specify Color. Add suffix **-F**.

How to Specify

1. Select catalog number with desired features.
2. Add suffixes for options required to meet job conditions.



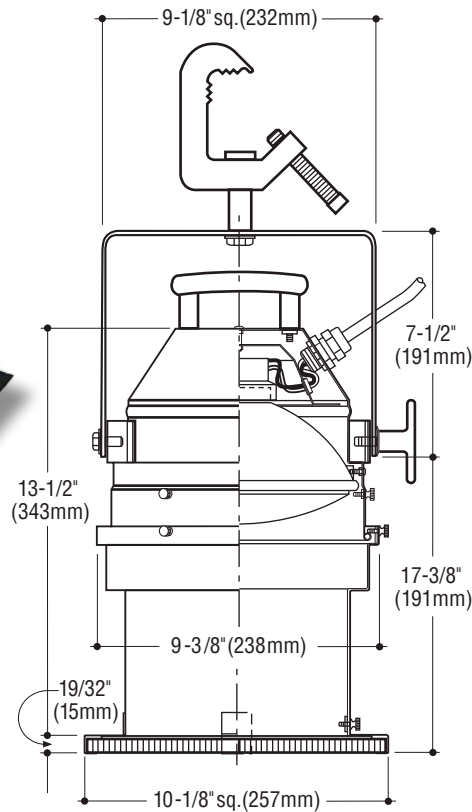
C. W. Cole & Company, Inc.
2560 Rosemead Boulevard
South El Monte, CA 91733-1593

Fax (626) 443-9253
Tel. (626) 443-2473
info@colelighting.com
www.colelighting.com

Supplemental Church Lighting

Theatrical Style Spotlight

Theatrical style spotlights add dramatic effects for performance areas or general highlighting. Mounts to pipe with c-clamp or canopy mounting.



Catalog Number

Lamps*

LED PAR 56 mogul end prong lamp holder
LED PAR 64 mogul end prong lamp holder

TSP-56

TSP-64

*Lamps not provided

Options

Shutter: Barn door. Add suffix **-BD**.

Filter: Provides 10" x 10" frame for color filter.
Add suffix **-CF**.

Snoot: Provides 7 1/2" x 3 5/8" dia. extension
to shield lamp brightness. Add suffix **-SN**.

Black Painted Steel: Add suffix **-BLK**.

How to Specify

1. Select catalog number with desired features.
2. Add suffixes for options required to meet job conditions.

COLE
Lighting

C. W. Cole & Company, Inc.
2560 Rosemead Boulevard
South El Monte, CA 91733-1593

Fax (626) 443-9253

Tel. (626) 443-2473

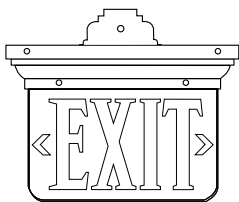
info@colelighting.com

www.colelighting.com

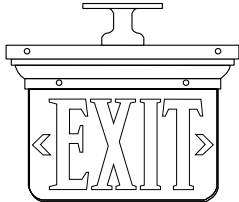
KWL-612-RED-120



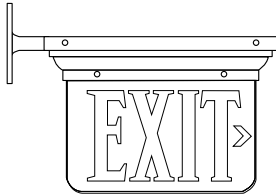
KWL-612-GRN-120



KWL-612 - Surface Back



KWL-612 - Surface Ceiling



KWL-612 - Surface End

Catalog Numbers	Single Face			Double Face	
	Back	Ceiling	End	Ceiling	End
Lamps LED .4W (Red), .3W (Green)	KWL-612	KCL-612	KBL-612	KCLD-612	KBLD-612

Required suffixes

Letter color	-RED	-GRN
Voltage	-120	-277

Options

Directional arrows:

- Arrow left, **-AL**;
- Arrow right, **-AR**;
- Doublehead, **-A2**;
- Right and left (applies to double face only), **-A**.

Emergency battery operation: Integral circuitry provides 90 minutes of operation. Add suffix **-EM**.

Special Font: Contact factory for custom preference. Add suffix **-SF**.

Tamperproof Screws: Socket head faceplate screws. Add suffix **-TP**.

Pendant mount: Provides canopy and 18" stem. Use ceiling model number and add suffix **-S1**.

Clear sandblasted glass: Add suffix **-GLS**.

Custom color: Contact factory for custom preference. Add suffix **-CC**.

How to Specify

1. Select catalog number with desired features.
2. Add suffixes for options required to meet job conditions

Supplemental Church Lighting

Traditional Exit

This classic fixture style blends beautifully with traditional church architecture.

For more information, download catalog page: <https://www.colelighting.com/traditional-exits>

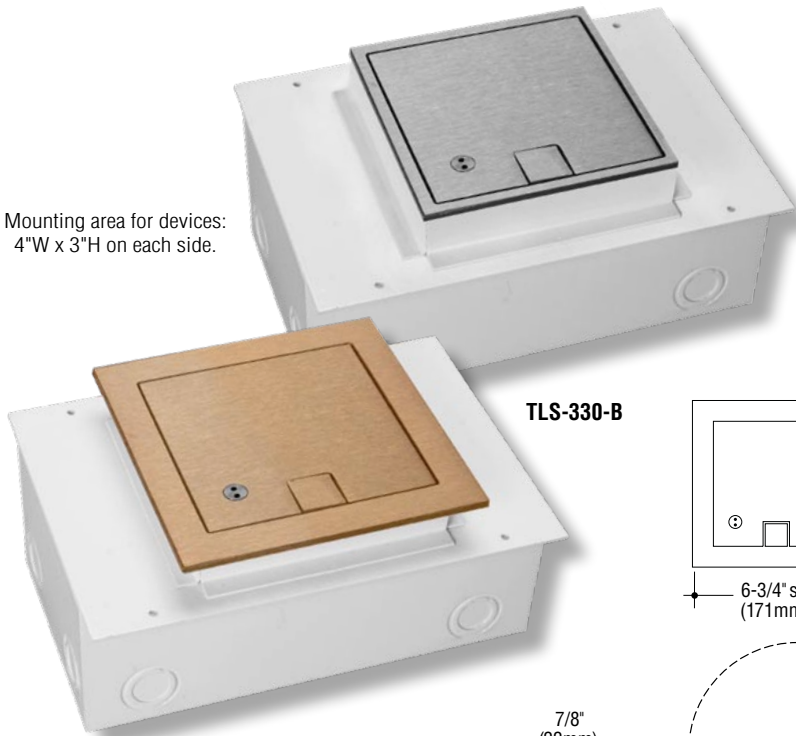


C. W. Cole & Company, Inc.
 2560 Rosemead Boulevard
 South El Monte, CA 91733-1593

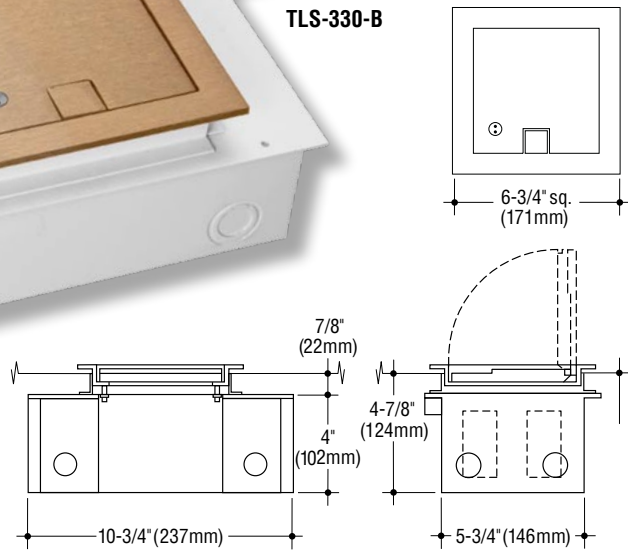
Fax (626) 443-9253
 Tel. (626) 443-2473
 info@colelighting.com
 www.colelighting.com

TLS-330

Mounting area for devices:
4"W x 3"H on each side.



TLS-330-B



Supplemental Church Lighting

Plugging Box

The 330 Series Plugging Boxes are recessed floor mounted enclosures designed for the temporary connection of electrical devices in interior concrete pour installations where a minimal size is required.

For more 330 Series Plugging Box information, download catalog page:
<https://www.colelighting.com/tls330>

For other Plugging Box models view at:
<https://www.colelighting.com/plugging-boxes>

Catalog Numbers

TLS-330

Options

Bronze: Frame and door are satin finished cast red brass. Add suffix **-B**.

Flush Frame: Provides flangeless frame for (5-3/4" x 5-3/4") non-carpeted floors. Add suffix **-FF**.

Customer specifics: Specify required electrical devices or desired provision for factory installation. Add suffix **-9**/(device or provision).

How to Specify

1. Select catalog number with option suffix(es).
2. Specify electrical devices if factory installation is desired.
3. Indicate special conduit feed locations if required.



COLE
Lighting

C. W. Cole & Company, Inc.
2560 Rosemead Boulevard
South El Monte, CA 91733-1593

Fax (626) 443-9253
Tel. (626) 443-2473
info@colelighting.com
www.colelighting.com